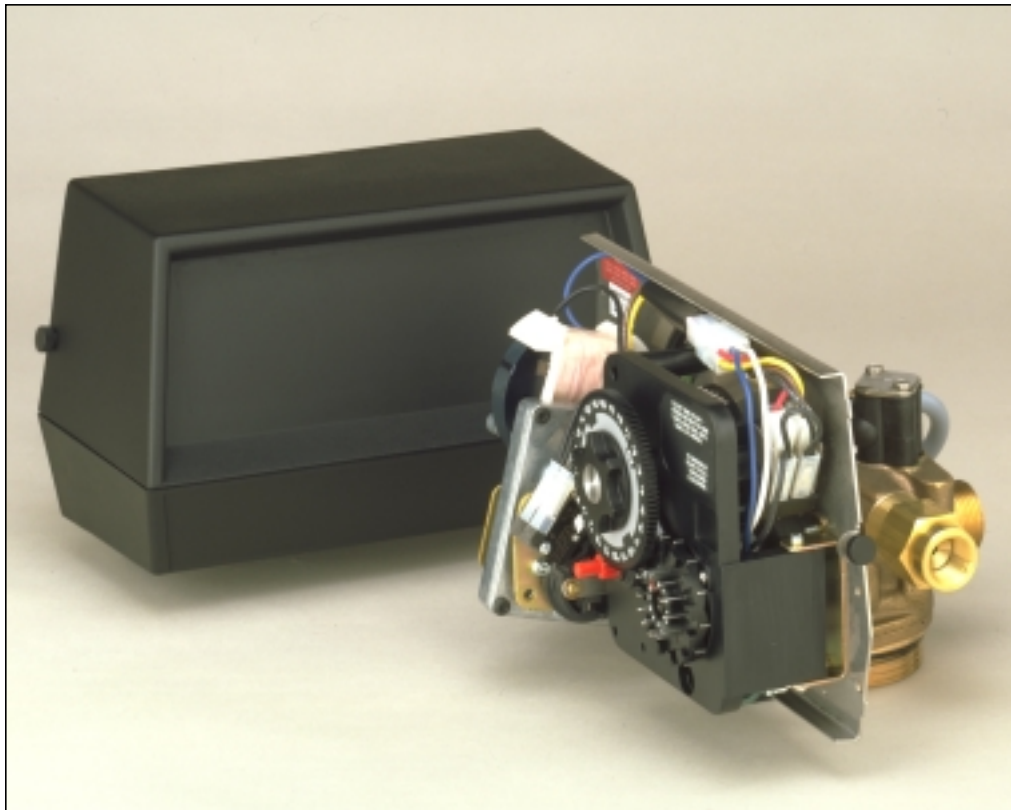


MODEL 2750 DOWNFLOW

CONTROL VALVE

Service Manual



IMPORTANT: Fill in pertinent information on page 2 for future reference.

MODEL 2750 DOWNFLOW

Job Specification Sheet

* JOB NO. _____

* MODEL NO. _____

* WATER TEST _____

* CAPACITY PER UNIT _____

* MINERAL TANK SIZE DIA. _____ HEIGHT _____

* BRINE TANK SIZE & SALT SETTING PER REGENERATION:

* 2750 CONTROL VALVE SPECIFICATIONS

1) Type of Timer (see pages 16,17, & 18)

A) 7 day or 12 day

B) *310 to 5,270 gallon meter or

*1,550 to 26,350 gallon meter

* Other _____

C) Meter Wiring Package

1) System #4 - 1 tank; 1 meter; immediate or delayed regeneration

2) System #5 - 2 tanks; 2 meters; interlock

3) System #6 - 2 tanks; 1 meter; series regeneration

4) System #7 - 2 tanks; 1 meter; alternator

2) Timer Program Settings (see pages 18 and 19)

A) Backwash _____ min.

B) Brine & Slow Rinse _____ min.

C) Rapid Rinse _____ min.

D) Brine Tank Refill _____ min.

3) Drain Line Flow Controller _____ gpm

4) Brine Line Flow Controller _____ gpm

5) Injector Size # _____

6) Service Valve Operation Units (SVO)

Size of Service Valve _____ .

MODEL 2750 DOWNFLOW

General Commercial Pre-Installation Check List

WATER PRESSURE: A minimum of 25 pounds of water pressure is required for regeneration valve to operate effectively.

ELECTRICAL FACILITIES: A continuous 110 volt, 60 Hertz current supply is required. Make certain the current supply is always hot and cannot be turned off with another switch. (Other voltages available.)

EXISTING PLUMBING: Condition of existing plumbing should be free from lime and iron buildup. Piping that is built up heavily with lime and/or iron should be replaced. If piping is clogged with iron, a separate iron filter unit should be installed ahead of the water softener.

LOCATION OF SOFTENER AND DRAIN: The softener should be located close to a drain.

BY-PASS VALVES: Always provide for the installation of a by-pass valve.

CAUTION: Water pressure is not to exceed 120 p.s.i., water temperature is not to exceed 100° F, and the unit cannot be subjected to freezing conditions.

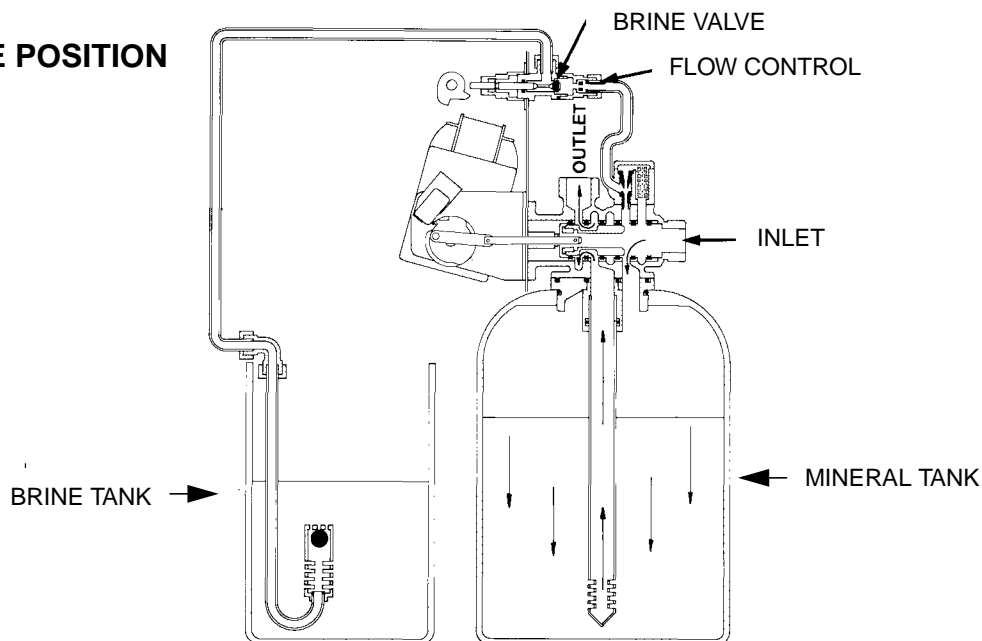
INSTALLATION INSTRUCTIONS

1. Place the softener tank where you want to install the unit making sure the unit is level and on a firm base. (Maximum 4 feet apart for twin units.)
2. All plumbing should be done in accordance with local plumbing codes. The pipe size for the drain line should be the same size as the drain line flow control female connection. Water meters are to be installed on soft water outlets. Twin units with (1) one meter shall be installed on common soft water outlet of units.
3. Solder joints near the drain must be done prior to connecting the Drain Line Flow Control fitting. Leave at least 6" between the DLFC and solder joints when soldering when the pipes are connected on the DLFC. Failure to do this could cause interior damage to the DLFC.
4. Teflon tape is the only sealant to be used on the drain fitting. The drain from twin units may be run through a common line.
5. Make sure that the floor is clean beneath the salt storage tank and that it is level.
6. Place approximately 1" of water above the grid plate (if used) in your salt tank. Salt may be placed in the unit at this time.
7. On units with a by-pass, place in by-pass position. Turn on the main water supply. Open a cold soft water tap nearby and let run a few minutes or until the system is free from foreign material (usually solder) that may have resulted from the installation.
8. Place the by-pass in service position.
9. Manually index the softener control into "service" position and let water flow into the mineral tank. When water flow stops, open a cold water tap nearby and let run until air pressure is relieved.
10. Electrical: All electrical connections must be connected according to codes. Use electrical conduit if applicable. Remote meter systems and Twin meter system wiring diagrams are on page 25. Plug into power supply.

MODEL 2750 DOWNFLOW

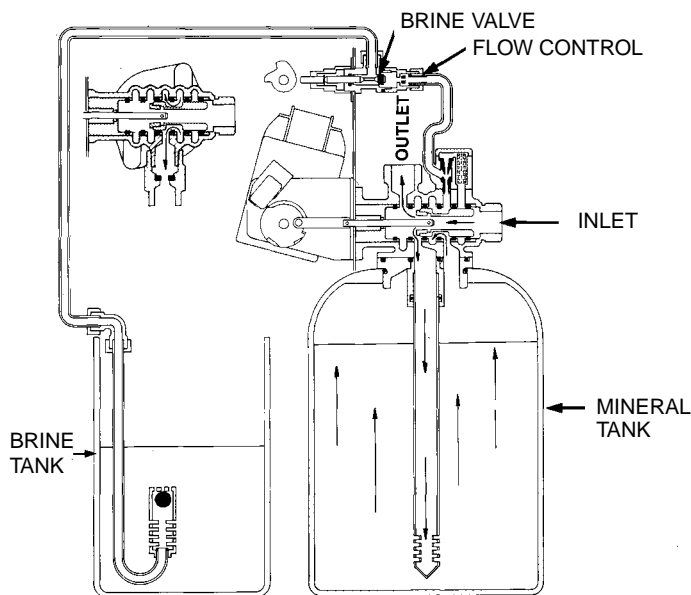
Water Conditioners Flow Diagrams

1 SERVICE POSITION



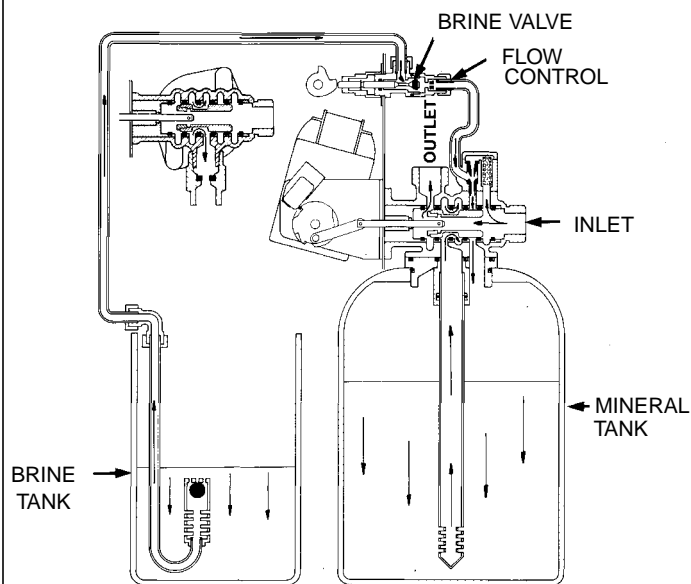
Hard water enters unit at valve inlet and flows down thru the mineral in the mineral tank. Conditioned water enters center tube thru the bottom distributor — then flows up thru the center tube — around the piston and out the top outlet of the valve.

2 BACKWASH POSITION



Hard water enters unit at valve inlet — flows thru piston — down center tube — thru bottom distributor and up thru the mineral — around the piston and out the drain line.

3 BRINE POSITION

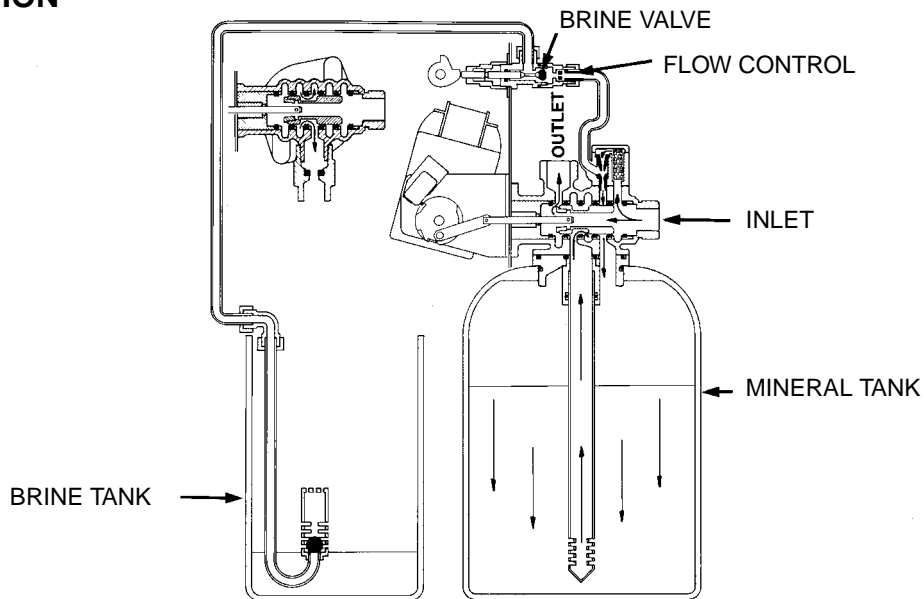


Hard water enters unit at valve inlet — flows up into injector housing and down thru nozzle and orifice to draw brine from the brine tank — brine flows down thru mineral and enters the center tube thru bottom distributor and out thru the drain line.

MODEL 2750 DOWNFLOW

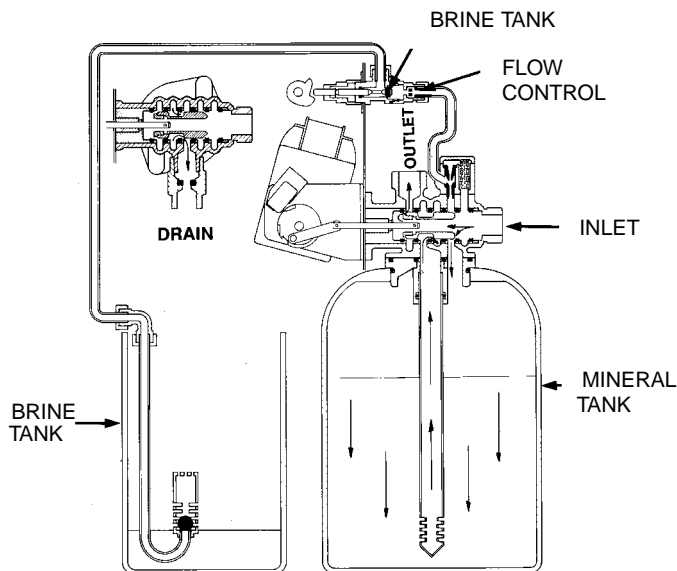
Water Conditioners Flow Diagrams (Cont'd.)

4 SLOW RINSE POSITION



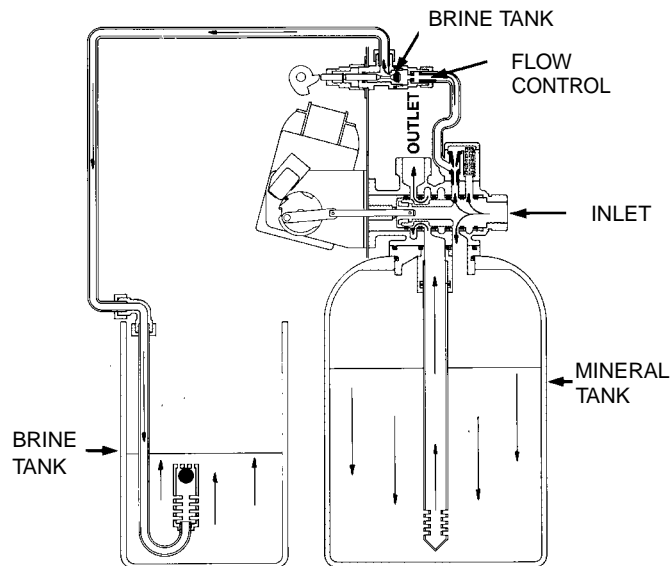
Hard water enters unit at valve inlet — flows up into injector housing and down thru nozzle and orifice — around the piston — down thru mineral — enters center tube thru bottom distributor — flows up thru center tube — around piston and out thru drain line.

5 RAPID RINSE



Hard water flows directly from inlet down thru mineral into center tube bottom distributor and up thru center tube — around piston and out thru the drain line.

6 BRINE TANK FILL POSITION

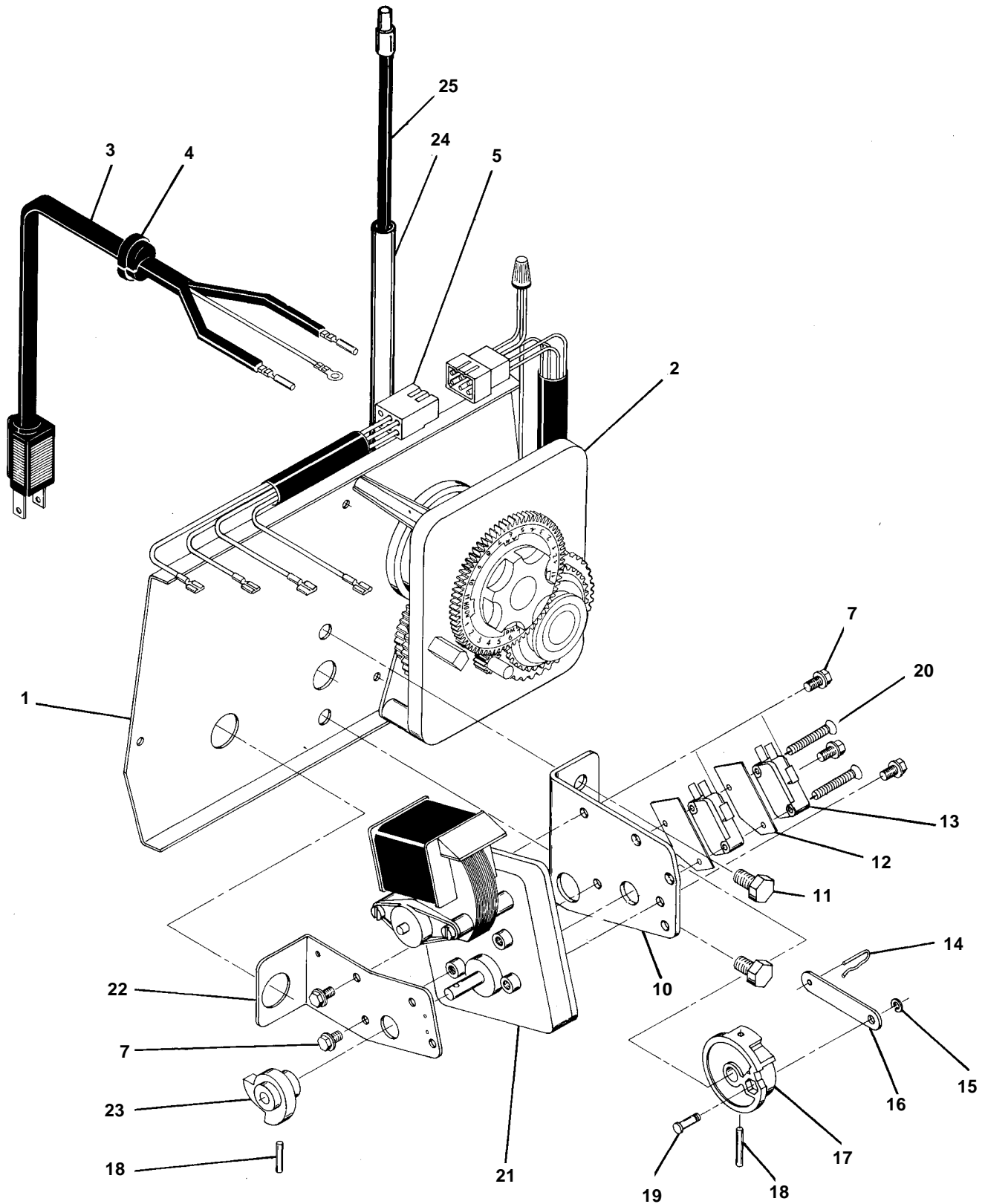


Hard water enters unit at valve inlet — flows up thru the injector housing — thru the brine valve to fill the brine tank.

MODEL 2750 DOWNFLOW

Control Drive Assembly

(see opposite page for parts list)



MODEL 2750 DOWNFLOW

Control Drive Assembly

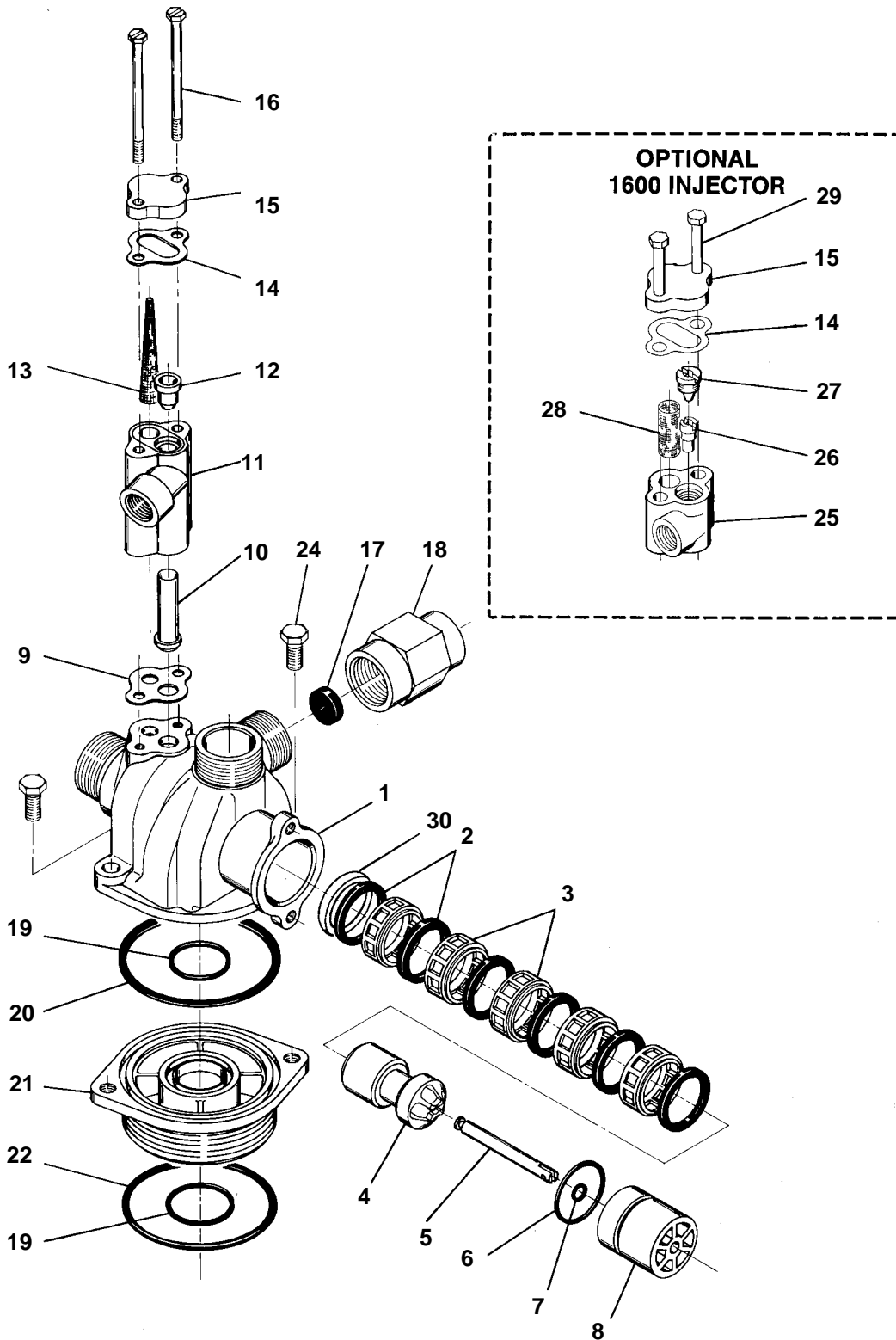
Parts List

| Item No. | Quantity | Part No. | Description |
|----------|----------|-----------|---|
| 1 | 1 | 14884 | Back Plate |
| | 1 | 11209 | Back Plate - Slant Front (not shown) |
| | 1 | 15156 | Back Plate - SVO (not shown) |
| 2 | 1 | | Timer - 3200 7 Day - 3200 12 Day - 3210 Meter |
| 3 | 1 | 11838 | Power Cord |
| 4 | 1 | 13547 | Strain Relief |
| 5 | 1 | 11667 | Wire Harness |
| 7 | 5 | 10872 | Screw - Motor Mounting |
| 8 | | | Not Assigned |
| 9 | | | Not Assigned |
| 10 | 1 | 10774 | Bracket - Motor Mounting |
| 11 | 2 | 10231 | Screw - Drive Mounting |
| 12 | 2 | 10302 | Insulator |
| 13 | 2 | 10218 | Switch |
| 14 | 1 | 10909 | Connecting Link Pin |
| 15 | 3 | 10250 | Retaining Ring |
| 16 | 1 | 10621 | Connecting Link |
| 17 | 1 | 12102 | Drive Cam - RR |
| | 1 | 12576 | Drive Cam - STF |
| 18 | 2 | 10338 | Roll Pin |
| 19 | 1 | 13366 | Drive Bearing |
| 20 | 2 | 14923 | Screw - Switch Mounting |
| 21 | 1 | 10769 | Motor |
| 22 | 1 | 11826 | Bracket - Brine Valve Side |
| 23 | 1 | 12777 | Brine Valve Cam - STF |
| | 1 | 10815 | Brine Valve Cam - RR (not shown) |
| | 1 | 12472 | Brine Valve Cam - SVO (not shown) - TRI |
| 24 | 1 | 15441 | Meter Cable Guide Assembly |
| 25 | 1 | 15513 | Meter Cable Assembly |
| 26 | 2 | 10300 | Screw - Timer Mounting (not shown) |
| 27 | 2 | 15742 | Screw (not shown) |
| 28 | 2 | 15833 | Spacer, Cover (not shown) |
| 29 | 1 | 19291-020 | Cover, 1 Piece, Black (not shown) |
| 30 | 2 | 19367 | Screw, Cover (not shown) |

MODEL 2750 DOWNFLOW

Control Valve with 1700 Injector

(see opposite page for parts list)



MODEL 2750 DOWNFLOW

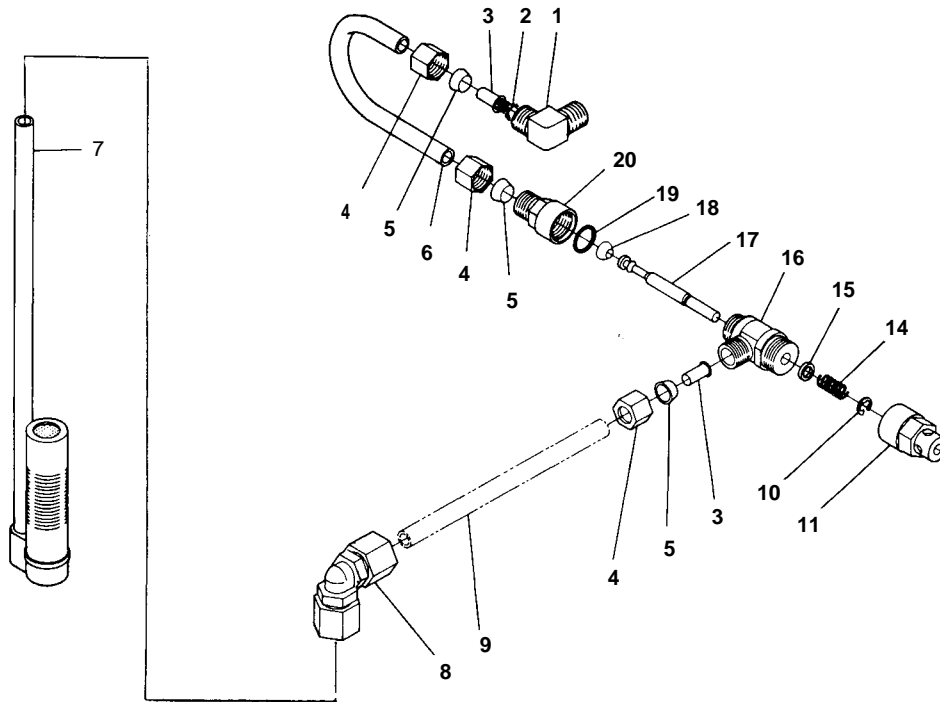
Control Valve

Parts List

| Item No. | Quantity | Part No. | Description |
|----------|----------|----------|---|
| 1 | 1 | 14749 | Valve Body |
| 2 | 6 | 10545 | Seal |
| 3 | 5 | 11451 | Spacer |
| | | 16589 | Spacer, Hot Water |
| 4 | 1 | 14451 | Piston |
| 5 | 1 | 14452 | Piston Rod |
| 6 | 1 | 10234 | O-Ring - End Plug |
| 7 | 1 | 10209 | Quad Ring - Piston Rod |
| 8 | 1 | 10598 | End Plug Assembly |
| | | 10598-01 | End Plug Assembly, Hot Water |
| 9 | 1 | 14805 | Injector Body Gasket |
| 10 | 1 | 14802 | Injector Throat |
| 11 | 1 | 17777 | Injector Body |
| 12 | 1 | 14801 | Injector Nozzle |
| 13 | 1 | 14803 | Injector Screen |
| 14 | 1 | 10229 | Injector Cover Gasket |
| 15 | 1 | 11893 | Injector Cover |
| | | 10228 | Injector Cover, Hot Water |
| 16 | 2 | 14804 | Screw - Injector Body |
| 17 | 1 | | Washer - Flow Control (specify size) |
| 18 | 1 | 15177 | Flow Control Housing |
| 19 | 2 | 11710 | O-Ring Base |
| 20 | 1 | 11208 | O-Ring Base |
| 21 | 1 | 12461 | Adapter Base 2-1/2-8 Thd |
| 22 | 1 | 10381 | O-Ring - Top of Tank |
| 24 | 2 | 11224 | Screw - Valve Mounting |
| 25 | 1 | 17776 | Injector Body |
| 26 | 1 | 10914 | Injector Throat |
| 27 | 1 | 10913 | Injector Nozzle |
| 28 | 1 | 10227 | Injector Screen |
| 29 | 2 | 10692 | Screw - Injector Body |
| 30 | 1 | 10757 | End Spacer |
| | | 10757B | End Spacer, Hot Water |
| 31 | 1 | 16221 | Air Dispenser - 1600 Injector (not shown) |

MODEL 2750 DOWNFLOW

1600 Series Brine System Assembly

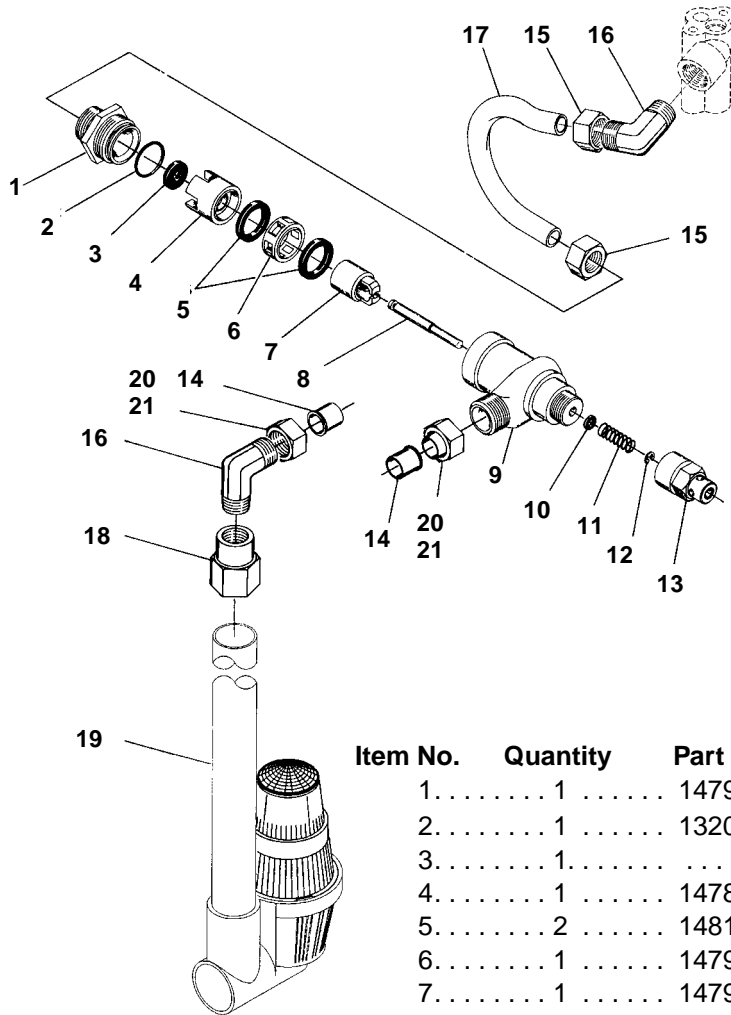


PARTS LIST

| Item No. | Quantity | Part No. | Description |
|----------|----------|--------------|---|
| 1 | 1 | 10328 | 90° Elbow - 1/4" Pipe Thd. to 3/8" Tube |
| 2 | 1 | 12767 | Brine Line Screen |
| 3 | 2 | 10332 | Insert Sleeve (3/8" Tube) |
| 4 | 3 | 10329 | Fitting Nut (3/8" Tube) |
| 5 | 3 | 10330 | Derlin Sleeve (3/8" Tube) |
| 6 | 1 | 15221 | Brine Valve Tube |
| 7 | 1 | 60002 | #500 Air Check Assembly |
| | | 60003 | #500 Air Check Assembly, Hot Water |
| 8 | 1 | 12794 | 90° Elbow - 3/8" Tube to 3/8" Tube |
| 9 | 1 | Not Supplied | Brine Line Tube (3/8" Flexible Tube) |
| 10 | 1 | 10250 | Retaining Ring |
| 11 | 1 | 11749 | Stem Guide |
| 12 | | | Not Assigned |
| 13 | | | Not Assigned |
| 14 | 1 | 10249 | Brine Valve Spring |
| 15 | 1 | 12550 | Quad Ring |
| 16 | 1 | 12748 | Brine Valve Body |
| 17 | 1 | 12552 | Brine Valve Stem |
| 18 | 1 | 12626 | Brine Valve Seat |
| 19 | 1 | 11982 | O-Ring |
| 20 | 1 | 60020-25 | BLFC .25 GPM |
| | | 60020-50 | BLFC .50 GPM |
| | | 60020-100 | BLFC 1.0 GPM |

MODEL 2750

1700 Series Brine System

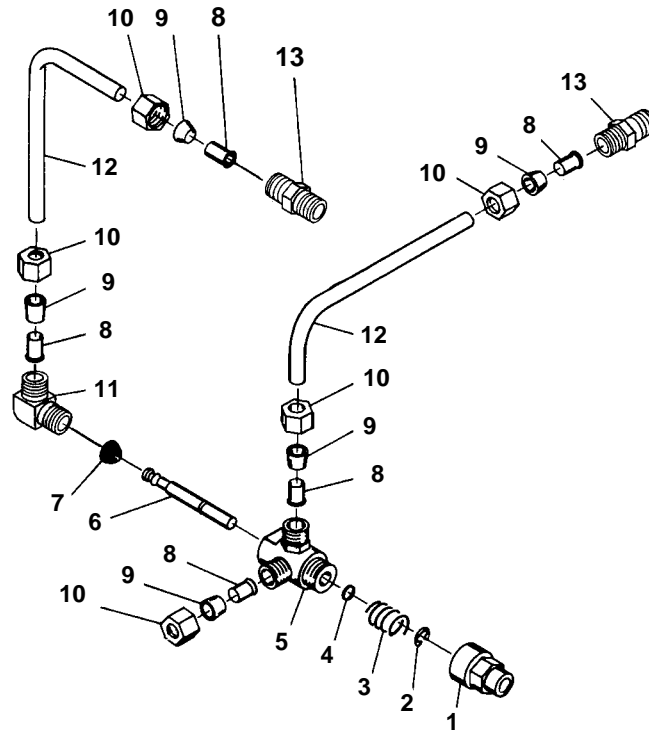


PARTS LIST

| Item No. | Quantity | Part No. | Description |
|----------|----------|----------|--|
| 1 | 1 | 14792 | End Plug |
| 2 | 1 | 13201 | O-Ring - End Plug |
| 3 | 1 | | Washer Flow Control (specify size) |
| 4 | 1 | 14785 | Flow Control Retainer |
| 5 | 2 | 14811 | Piston Seals |
| 6 | 1 | 14798 | Spacer |
| 7 | 1 | 14795 | Brine Valve Piston |
| 8 | 1 | 14797 | Brine Valve Stem |
| 9 | 1 | 14790 | Brine Valve Body |
| 10 | 1 | 12550 | Quad Ring - Brine Stem |
| 11 | 1 | 15310 | Spring - Brine Valve |
| 12 | 1 | 10250 | Retaining Ring |
| 13 | 1 | 15517 | Stem Guide |
| 14 | 2 | 15415 | Insert |
| 15 | 2 | 15414 | Nut & Sleeve |
| 16 | 2 | 15413 | Elbow |
| 17 | 1 | 15416 | Brine Tube |
| 18 | 1 | 16977 | Reducer Coupling, 1/2" NPT to 1/8" NPT |
| 19 | 1 | 60009 | #900 Air Check Assembly |
| | | 60009-01 | #900 Air Check Assembly, Hot Water |
| 20 | 2 | 16123 | Nut |
| 21 | 2 | 16124 | Sleeve |

MODEL 2750 DOWNFLOW

Service Valve Operator

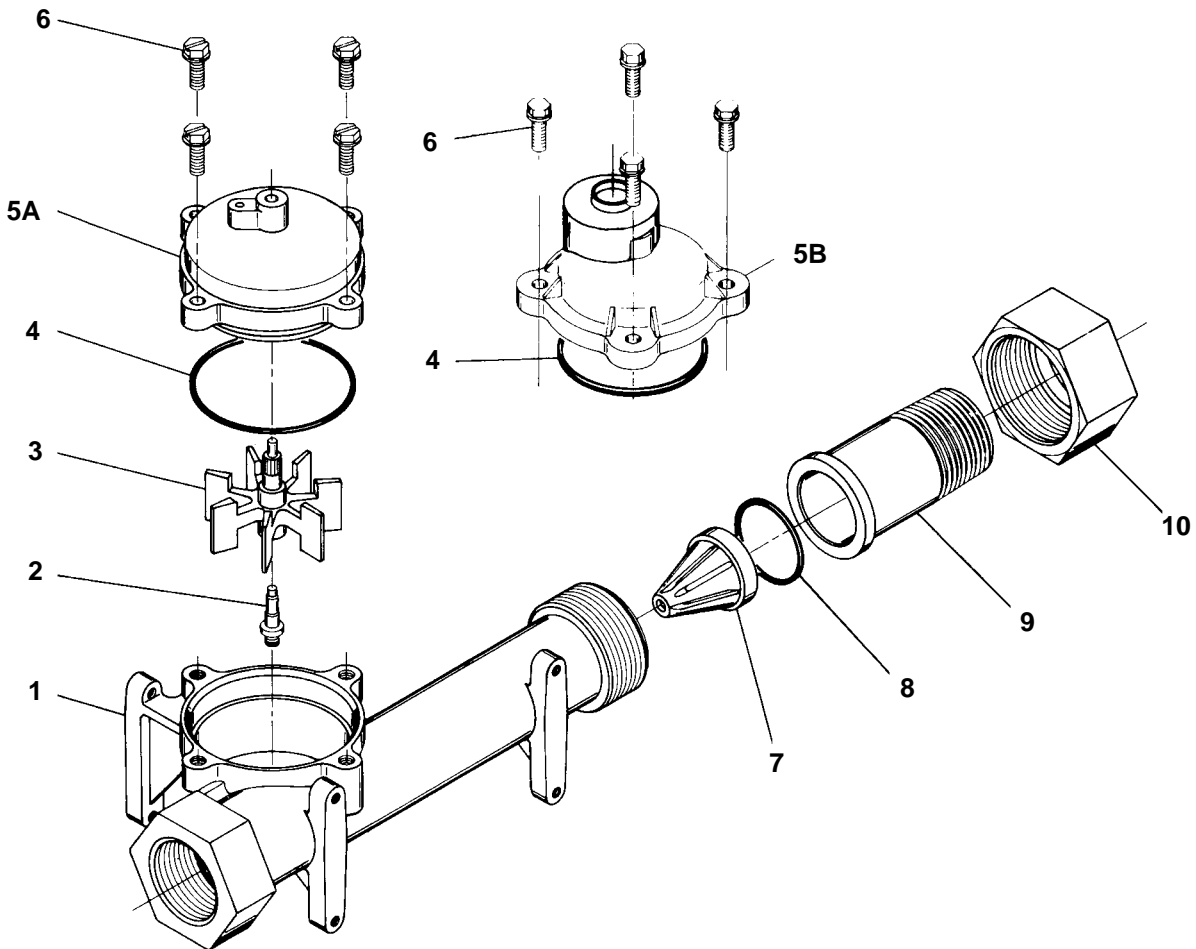


PARTS LIST

| Item No. | Quantity | Part No. | Description |
|----------|----------|----------|-------------------------------------|
| 1 | 1 | 11749 | Guide, Brine Valve Stem |
| 2 | 1 | 10250 | Retaining Ring |
| 3 | 1 | 10249 | Spring, Brine Valve |
| 4 | 1 | 12550 | Quad Ring |
| 5 | 1 | 10785 | Service Actuator Assembly - .25 gpm |
| 6 | 1 | 12552 | Brine Valve Stem, 1600 |
| 7 | 1 | 12626 | Seat, Brine Valve |
| 8 | 5 | 10332 | Insert, |
| 9 | 5 | 10330 | Sleeve, 3/8" Delrin |
| 10 | 5 | 10329 | Nut, 3/8" Brass |
| 11 | 1 | 10328 | Elbow, 90° 1/4" NPT x 3/8" |
| 12 | 2 | 12897 | Tube |
| 13 | 2 | 16730 | Connector, Male 1/8" NPT to 3/8" T |

MODEL 2750 ECONOMINDER®

1" Meter Assembly



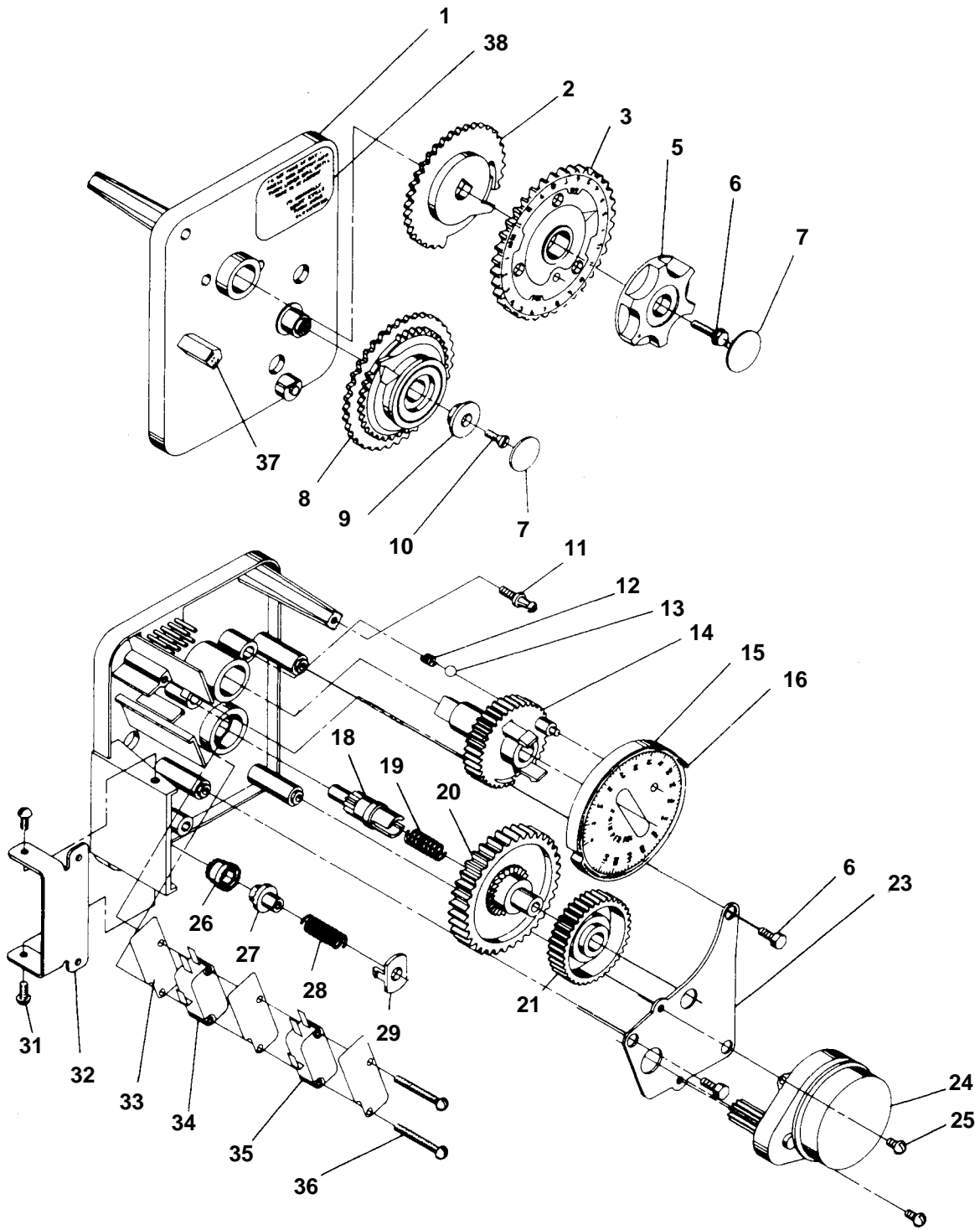
PARTS LIST

| Item No. | Quantity | Part No. | Description |
|----------|----------|----------|---------------------------------------|
| 1 | 1 | 14959 | Meter Body |
| 2 | 1 | 13882 | Post, Meter Impeller |
| 3 | 1 | 13509 | Impeller |
| 4 | 1 | 13847 | O-Ring - Meter Cover |
| 5A | 1 | 15218 | Meter Cover Assembly (Std.) |
| 5B | 1 | 15237 | Meter Cover Assembly (Extended Range) |
| 6 | 4 | 12112 | Screw - Meter Cover |
| 7 | 1 | 14960 | Flow Straightener |
| 8 | 1 | 13287 | O-Ring - Quick Connect |
| 9 | 1 | 14961 | Nipple - Quick Connect |
| 10 | 1 | 14962 | Nut - Quick Connect |
| 11 | 1 | 15308 | Brass 1" Coupling (not shown) |

MODEL 2750 ECONOMINDER®

Timer Assembly

(see opposite page for parts list)



MODEL 2750 ECONOMINDER®

Timer Assembly

Parts List

| Item No. | Quantity | Part No. | Description |
|----------|----------|----------|---------------------------------------|
| 1 | 1 | 13708-01 | Timer Housing Assembly |
| 2 | 1 | 13802 | Cycle Actuator Gear |
| 3 | 1 | 40096-24 | 24 Hour Gear Assembly, 12 Midnight |
| | | 40096-02 | 24 Hour Gear Assembly, 2 AM |
| 5 | 1 | 13886-01 | Knob |
| 6 | 4 | 13296 | Screw - Timer Knob & Motor Plate Mtg. |
| 7 | 2 | 11999 | Button Decal |
| 8 | 1 | 60405-30 | Program Wheel Assembly |
| 9 | 1 | 13806 | Program Wheel Retainer |
| 10 | 1 | 13748 | Screw - Program Wheel Mtg. |
| 11 | 1 | 14265 | Spring Clip |
| 12 | 1 | 15424 | Spring - Detent |
| 13 | 1 | 15066 | Ball -1/4 in.dia. |
| 14 | 1 | 13911 | Main Drive Gear |
| 15 | 1 | 19210 | Program Wheel |
| 16 | 21 | 15493 | Roll Pin |
| 18 | 1 | 13018 | Idler Shaft |
| 19 | 1 | 13312 | Spring - Idler |
| 20 | 1 | 13017 | Idler Gear |
| 21 | 1 | 13164 | Drive Gear |
| 23 | 1 | 13887 | Motor Mounting Plate |
| 24 | 1 | 18743 | Motor - 110 V., 60Hz. |
| | | 19659 | Motor - 24V., 60 Hz. |
| 25 | 3 | 13278 | Screw - Motor Mounting & Ground Wire |
| 26 | 1 | 13830 | Drive Pinion - Program Wheel |
| 27 | 1 | 13831 | Clutch - Drive Pinion |
| 28 | 1 | 14276 | Spring |
| 29 | 1 | 14253 | Spring Retainer |
| 30 | | | Not Assigned |
| 31 | 2 | 11384 | Screw-Timer Hinge |
| 32 | 1 | 13881 | Hinge Bracket |
| 33 | 3 | 14087 | Insulator |
| 34 | 1 | 10896 | Switch |
| 35 | 1 | 15320 | Switch |
| 36 | 2 | 11413 | Screw - Switch Mounting |
| 37 | 1 | 14007 | Decal - Time of Day |
| 38 | 1 | 14045 | Decal - Instructions |
| 39 | 1 | 13902 | Harness - Not Shown |
| 40 | 2 | 12681 | Wire Connector - Not Shown |
| 41 | 1 | 15354-01 | Ground Wire - Not Shown |

MODEL 2750 ECONOMINDER®

1" Commercial Demand Regeneration Control

Timer Settings

Typical Programming Procedure

Calculate the gallon capacity of the system, subtract the necessary reserve requirement and set the appropriate gallons available opposite the small white dot on the program wheel gear. Note, drawing shows 10,000 gallons setting. The capacity (gallons) arrow denotes remaining gallons exclusive of calculated reserve.

How To Set The Time Of Day:

Press and hold the red button in to disengage the drive gear.

Turn the large gear until the actual time of day is opposite the time of day pointer.

Release the red button to again engage the drive gear.

How To Manually Regenerate Your Water Conditioner At Any Time.

Turn the manual regeneration knob clockwise.

This slight movement of the manual regeneration knob engages the program wheel and starts the regeneration program.

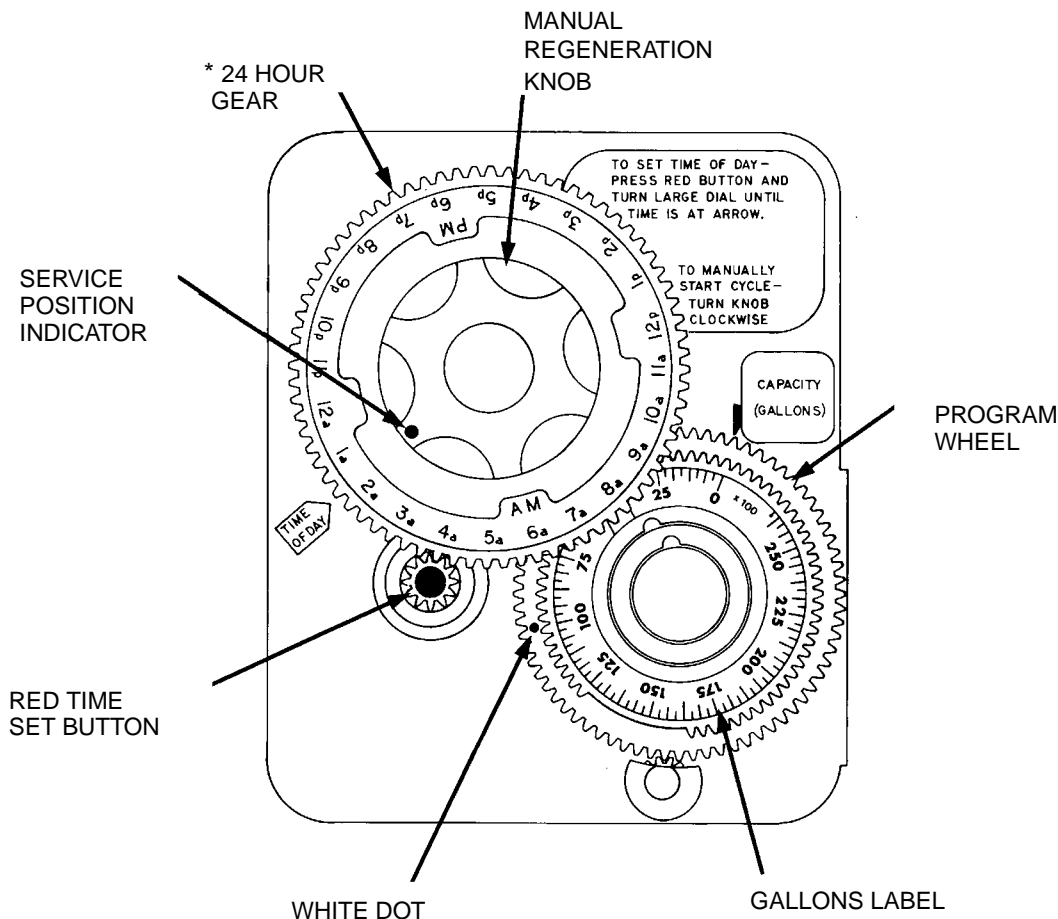
The black center knob will make one revolution in the following approximately three hours and stop in the position shown in the drawing.

Even though it takes three hours for this center knob to complete one revolution, the regeneration cycle of your unit might be set for only one half of this time.

In any event, conditioned water may be drawn after rinse water stops flowing from the water conditioner drain line.

Immediate Regeneration Timers:

These timers do not have a 24 hour gear. Setting the gallons on the program wheel and manual regeneration procedure are the same as previous instructions.



* Immediate regeneration times do not have 24 hour gear. No time of day can be set.

MODEL 3200 TIMER

Timer Setting Procedure

How To Set Days On Which Water Conditioner Is To Regenerate:

Rotate the skipper wheel until the number "1" is at the red pointer. Set the days that regeneration is to occur by sliding tabs on the skipper wheel outward to expose trip fingers. Each tab is one day. Finger at red pointer is tonight. Moving clockwise from the red pointer, extend or retract fingers to obtain the desired regeneration schedule.

How To Set The Time of Day:

Press and hold the red button in to disengage the drive gear.

Turn the large gear until the actual time of day is at the time of day pointer.

Release the red button to again engage the drive gear.

How To Manually Regenerate Your Water Conditioner At Any Time:

Turn the manual regeneration knob clockwise.

This slight movement of the manual regeneration knob engages the program wheel and starts the regeneration program.

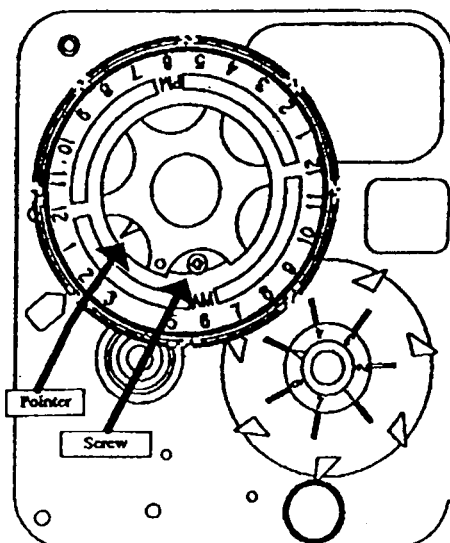
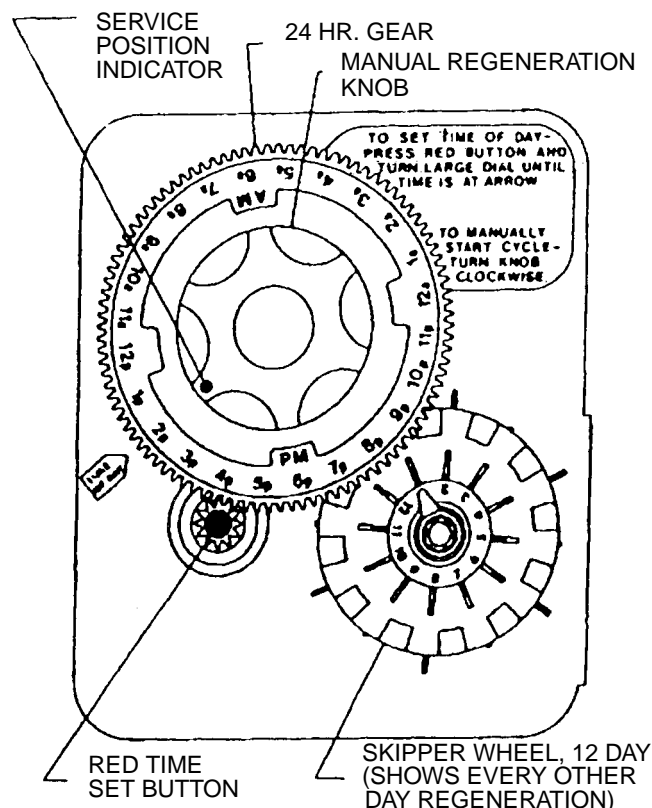
The black center knob will make one revolution in the following approximately three hours and stop in the position shown in the drawing.

Even though it takes three hours for this center knob to complete one revolution, the regeneration cycle of your unit might be set only one half of this time.

In any event, conditioned water may be drawn after rinse water stops flowing from the water conditioner drain line.

How to Adjust Regeneration Time:

1. Disconnect the power source.
2. Locate the three screws behind the manual regeneration knob by pushing the red button in and rotating the 24 hour dial until each screw appears in the cut out portion of the manual regeneration knob.
3. Loosen each screw slightly to release the pressure on the time plate from the 24 hour gear.
4. Locate the regeneration time pointer on the inside of the 24 hour dial in the cut out.
5. Turn the time plate so the desired regeneration time aligns next to the raised arrow.
6. Push the red button in and rotate the 24 hour dial. Tighten each of the three screws.
7. Push the red button and locate the pointer one more time to ensure the desired regeneration time is correct.
8. Reset the time of day and restore power to the unit.



3200 ADJUSTABLE REGENERATION TIMER

IMPORTANT!

SALT LEVEL MUST ALWAYS BE ABOVE WATER LEVEL IN BRINE TANK.

MODEL 3200 & 3210 Timer Series

Regenerating Cycle Program Setting Procedure

(Brine Tank Refill Separate from Rapid Rinse)

How To Set The Regeneration Cycle Program:

The regeneration cycle program on your water conditioner has been factory preset, however, portions of the cycle or program may be lengthened or shortened in time to suit local conditions.

3200 & 3210 Series Timers (Figure to Right)

To expose cycle program wheel, grasp timer in upper left-hand corner and pull, releasing snap retainer and swinging timer to the right.

To change the regeneration cycle program, the program wheel must be removed. Grasp program wheel and squeeze protruding lugs toward center, lift program wheel off timer. (Switch arms may require movement to facilitate removal.)

Return timer to closed position engaging snap retainer in back plate. Make certain all electrical wires locate above snap retainer post.

Timer Setting Procedure for 3200 & 3210 Timer

How To Change The Length Of The Backwash Time:

The program wheel as shown in the drawing is in the service position. As you look at the numbered side of the program wheel, the group of pins starting at zero determines the length of time your unit will backwash.

FOR EXAMPLE: If there are six pins in this section, the time of backwash will be 12 min. (2min. per pin). To change the length of backwash time, add or remove pins as required. The number of pins times two equals the backwash time in minutes.

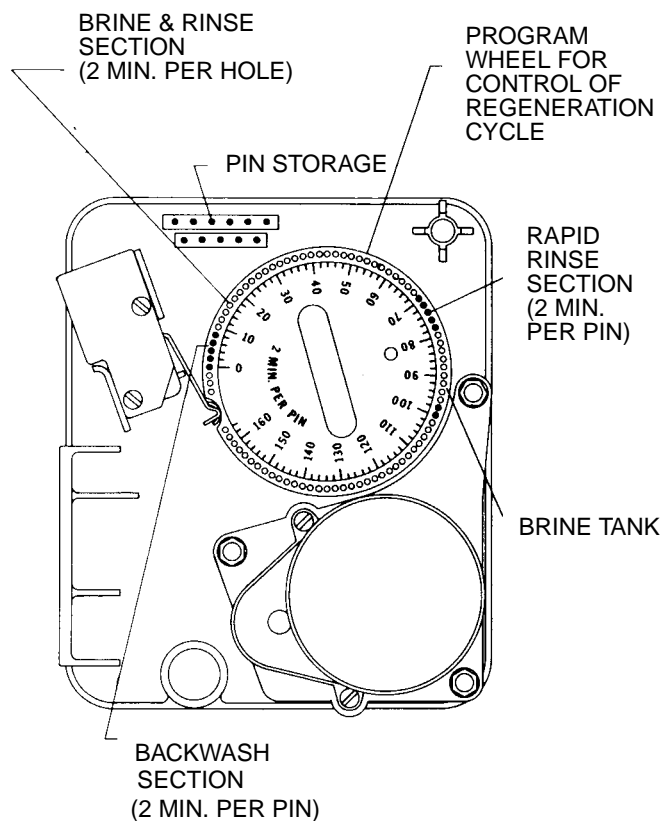
How To Change The Length Of Brine And Rinse Time:

The group of holes between the last pin in the backwash section and the second group of pins determines the length of time that your unit will brine and rinse (2 min. per hole.)

To change the length of brine and rinse time, move the rapid rinse group of pins to give more or fewer holes in the brine and rinse section. Number of holes time two equals brine and rinse time in minutes.

How To Change The Length Of Rapid Rinse:

The second group of pins on the program wheel determines the length of time that your water conditioner will rapid rinse. (2 min. per pin.)



To change the length of rapid time, add or remove pins at the higher numbered end of this section as required. The number of pins times two equals the rapid rinse time in minutes.

How To Change The Length Of Brine Tank Refill Time:

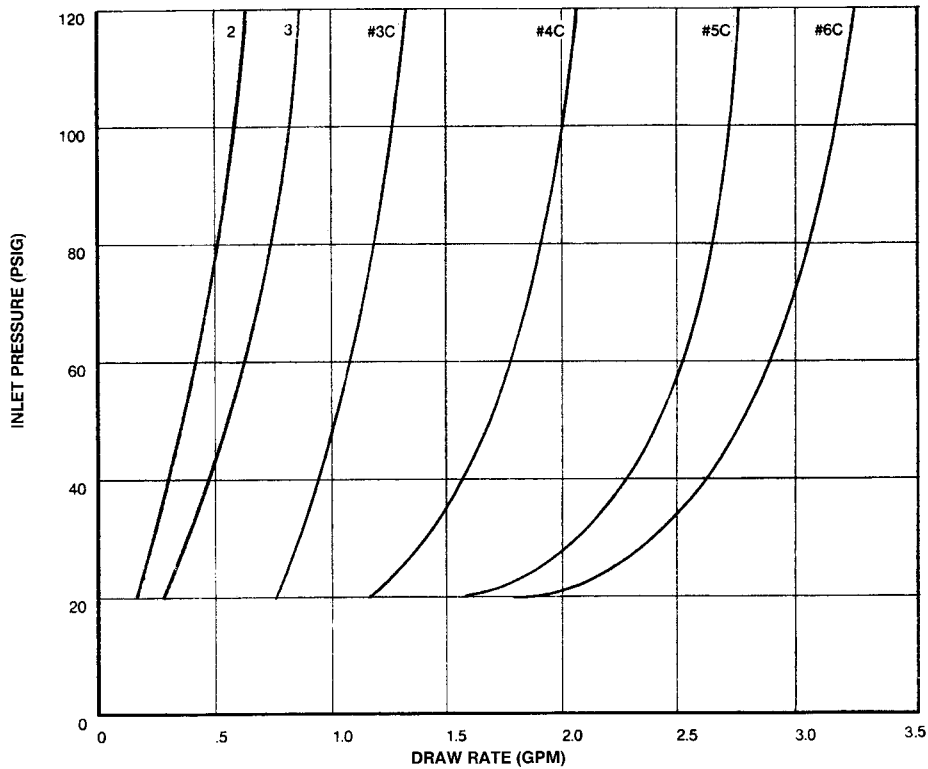
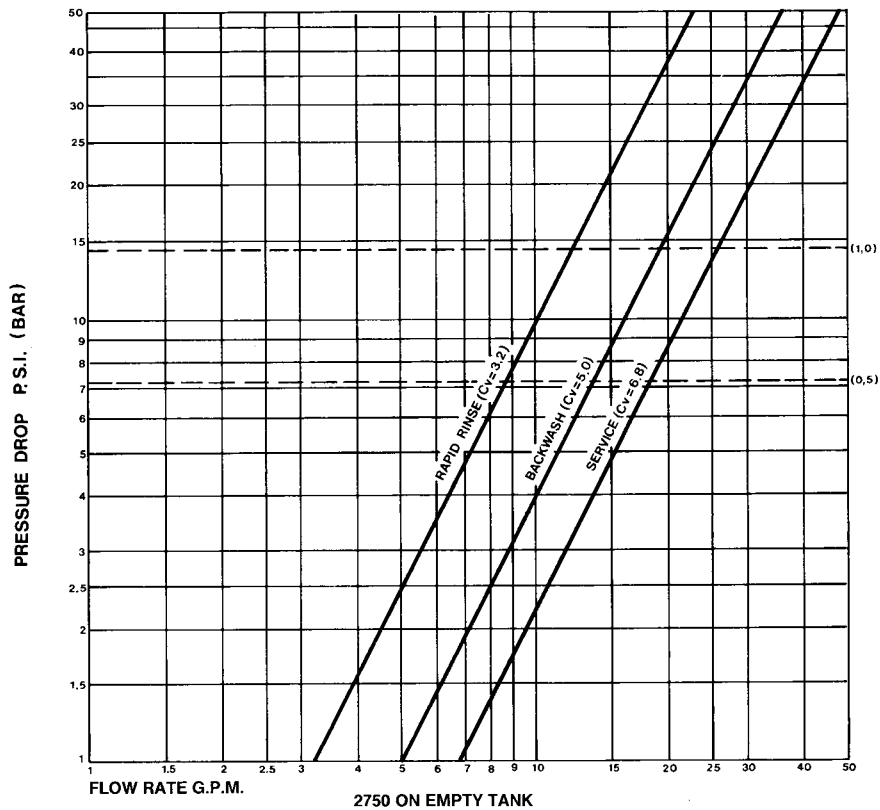
The second group of holes in the program wheel determines the length of time that your water conditioner will refill the brine tank. (2 min. per hole.)

To change the length of refill time, move the two pins at the end of the second group of holes as required.

The regeneration cycle is complete when the outer microswitch is tripped by the two pin set at end of the brine tank refill section. The program wheel, however, will continue to rotate until the inner micro-switch drops into the notch on the program wheel.

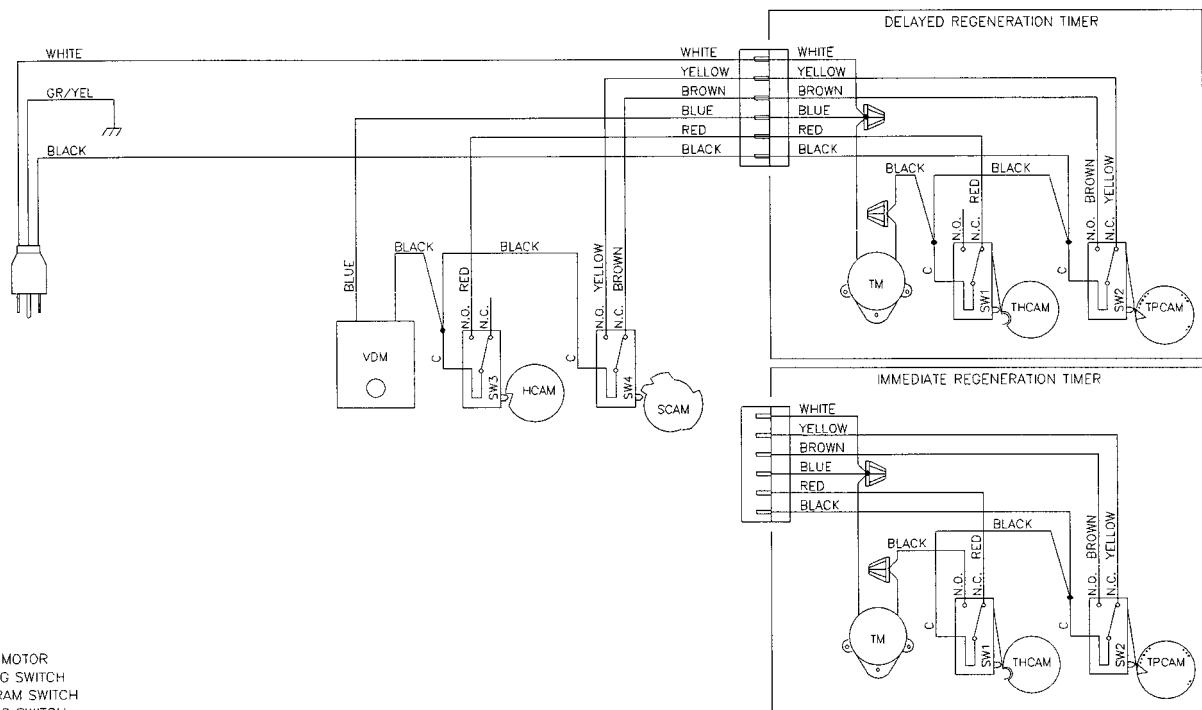
MODEL 2750 DOWNFLOW

Flow Data & Injector Draw Rates



2750 System #4

Valve Wiring

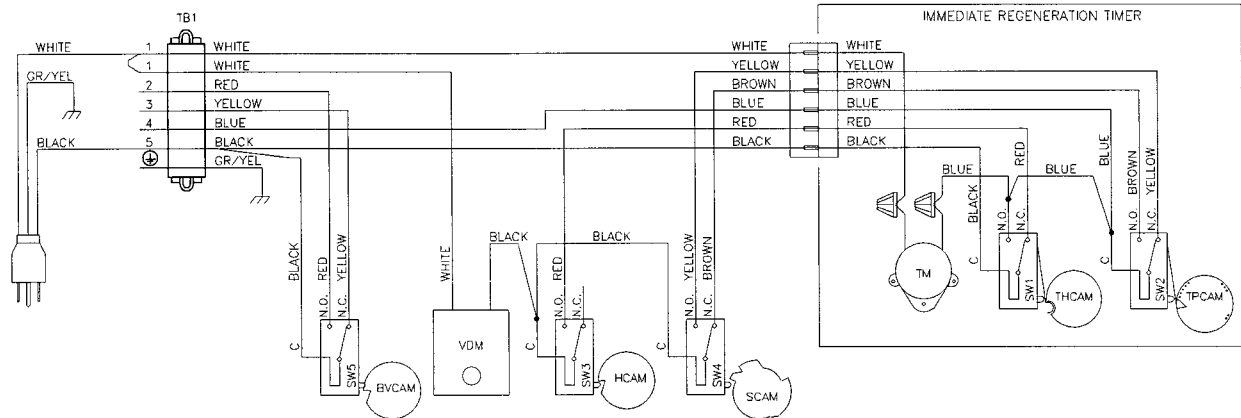


TM – TIMER MOTOR
VDM – VALVE DRIVE MOTOR
SW1 – TIMER HOMING SWITCH
SW2 – TIMER PROGRAM SWITCH
SW3 – VALVE HOMING SWITCH
SW4 – VALVE STEP SWITCH
THCAM – TIMER HOMING CAM
TPCAM – TIMER PROGRAM CAM
HCAM – VALVE HOMING CAM
SCAM – VALVE STEP CAM

NOTE:
SINGLE TANK TIMECLOCK, METER DELAYED, OR METER IMMEDIATE REGENERATION

2750 System #4 With Remote Meter

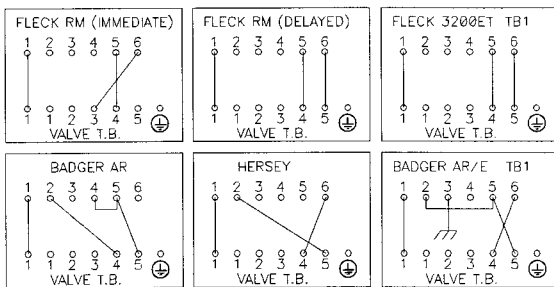
Valve Wiring



- TM – TIMER MOTOR
- VDM – VALVE DRIVE MOTOR
- SW1 – TIMER HOMING SWITCH
- SW2 – TIMER PROGRAM SWITCH
- SW3 – VALVE HOMING SWITCH
- SW4 – VALVE STEP SWITCH
- SW5 – BRINE CAM SWITCH
- THCAM – TIMER HOMING CAM
- TPCAM – TIMER PROGRAM CAM
- HCAM – VALVE HOMING CAM
- SCAM – VALVE STEP CAM
- BVCAM – BRINE VALVE CAM

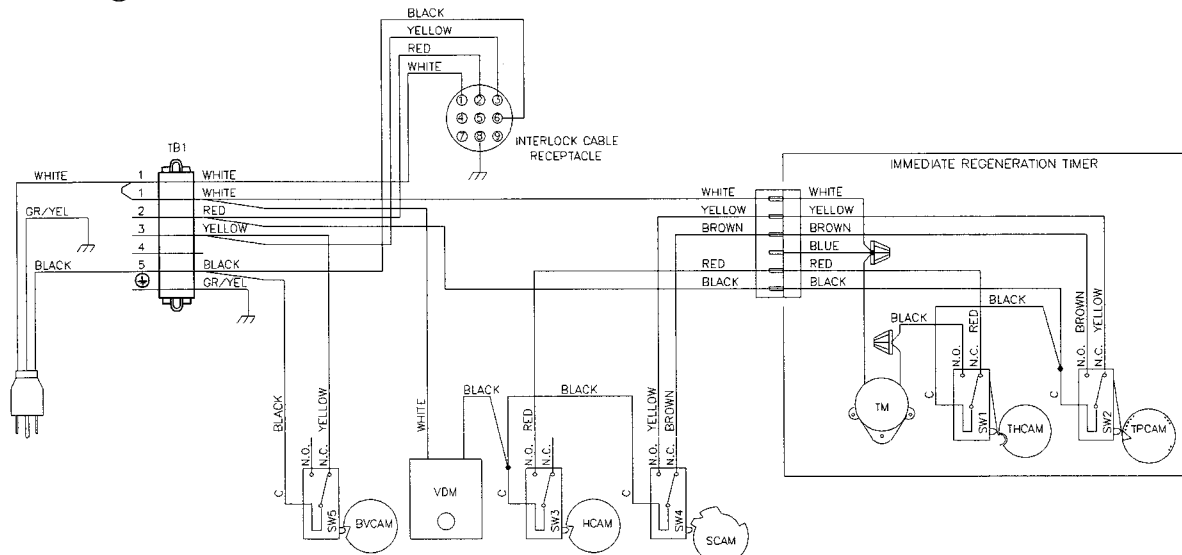
NOTE:
SINGLE TANK REMOTE METER INITIATED DELAYED, OR IMMEDIATE REGENERATION

REMOTE METER WIRING



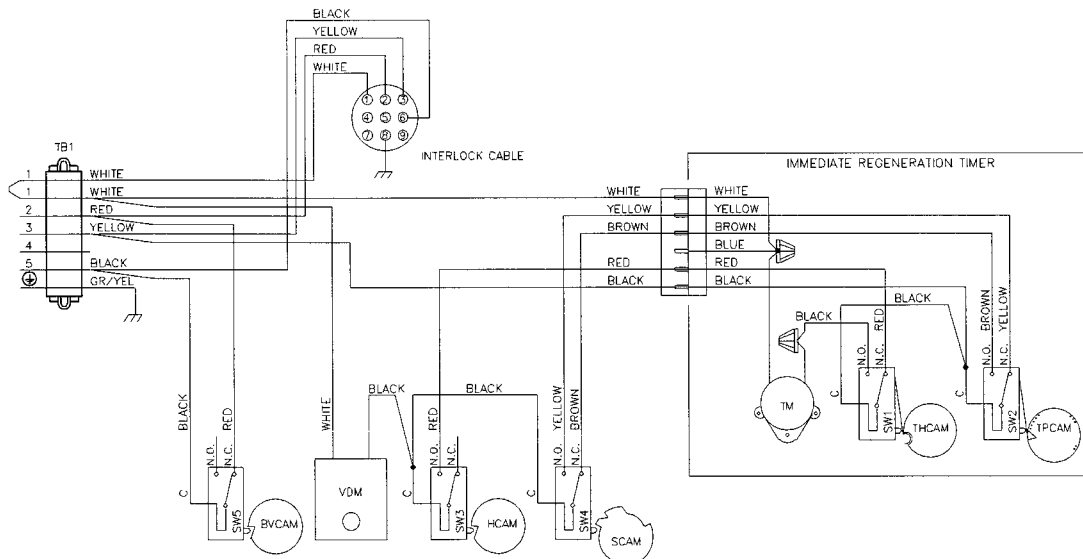
2750 System #5

Valve Wiring



- TM - TIMER MOTOR
- VDM - VALVE DRIVE MOTOR
- SW1 - TIMER HOMING SWITCH
- SW2 - TIMER PROGRAM SWITCH
- SW3 - VALVE HOMING SWITCH
- SW4 - VALVE STEP SWITCH
- SW5 - BRINE CAM SWITCH
- THCAM - TIMER HOMING CAM
- TPCAM - TIMER PROGRAM CAM
- HCAM - VALVE HOMING CAM
- SCAM - VALVE STEP CAM
- BVCAM - BRINE VALVE CAM

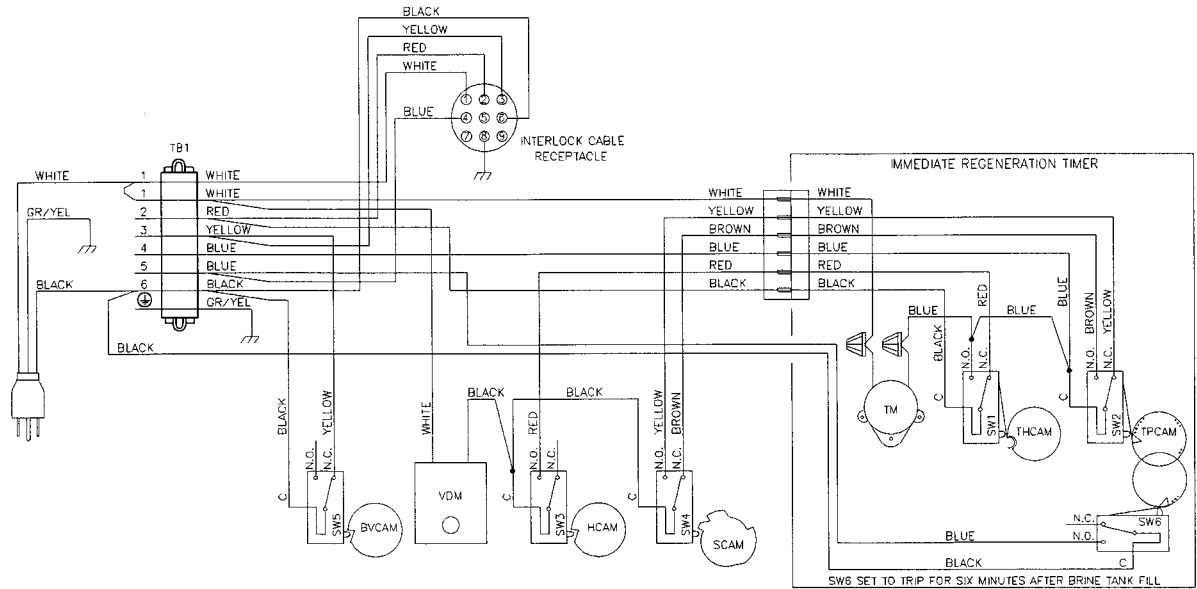
NOTE:
TWO TANK INTERLOCKED INDIVIDUAL METER IMMEDIATE REGENERATION.
ONLY ONE TANK IN REGENERATION THE OTHER IN SERVICE.



- TM - TIMER MOTOR
- VDM - VALVE DRIVE MOTOR
- SW1 - TIMER HOMING SWITCH
- SW2 - TIMER PROGRAM SWITCH
- SW3 - VALVE HOMING SWITCH
- SW4 - VALVE STEP SWITCH
- SW5 - BRINE CAM SWITCH
- THCAM - TIMER HOMING CAM
- TPCAM - TIMER PROGRAM CAM
- HCAM - VALVE HOMING CAM
- SCAM - VALVE STEP CAM
- BVCAM - BRINE VALVE CAM

2750 System #6

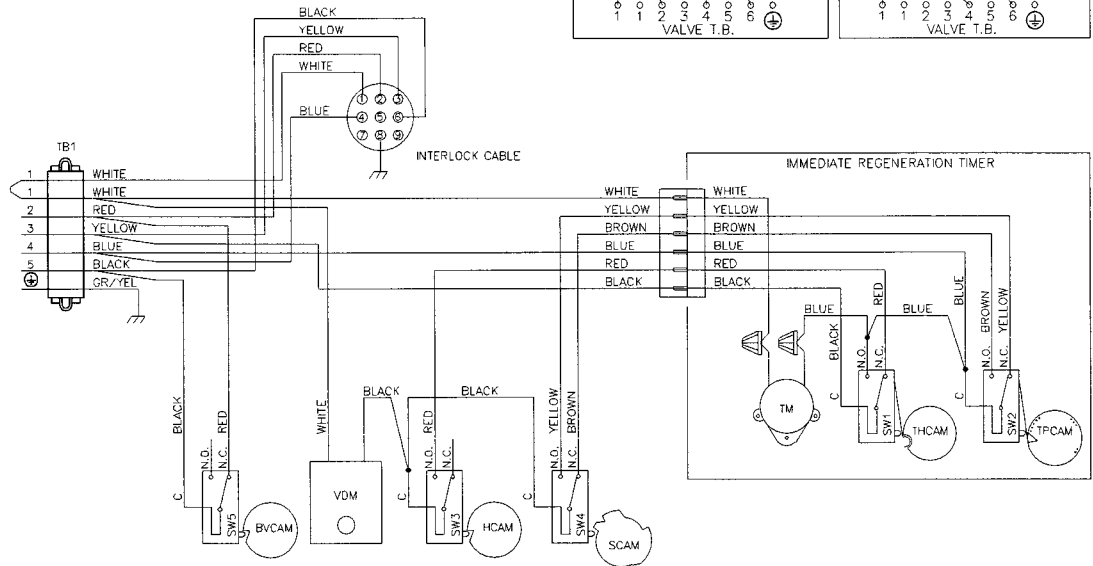
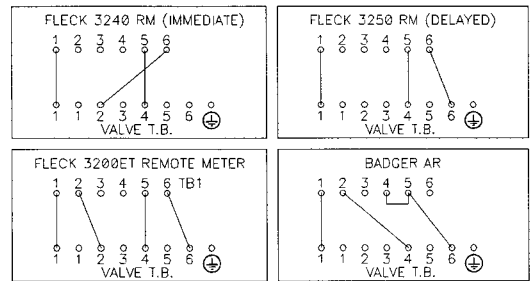
Valve Wiring



- TM - TIMER MOTOR
- VDM - VALVE DRIVE MOTOR
- SW1 - TIMER HOMING SWITCH
- SW2 - TIMER PROGRAM SWITCH
- SW3 - VALVE HOMING SWITCH
- SW4 - VALVE STEP SWITCH
- SW5 - BRINE CAM SWITCH
- SW6 - AUXILIARY TIMER SWITCH
- THCAM - TIMER HOMING CAM
- TPCAM - TIMER PROGRAM CAM
- HCAM - VALVE HOMING CAM
- SCAM - VALVE STEP CAM
- BVCAM - BRINE VALVE CAM

NOTE:
TWO TANK INTERLOCKED SINGLE REMOTE METER SERIES REGENERATION.
ONLY ONE TANK IN REGENERATION THE OTHER IN SERVICE.
LEAD VALVE REGENERATES FIRST, FOLLOWED IMMEDIATELY BY LAG VALVE.

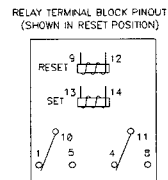
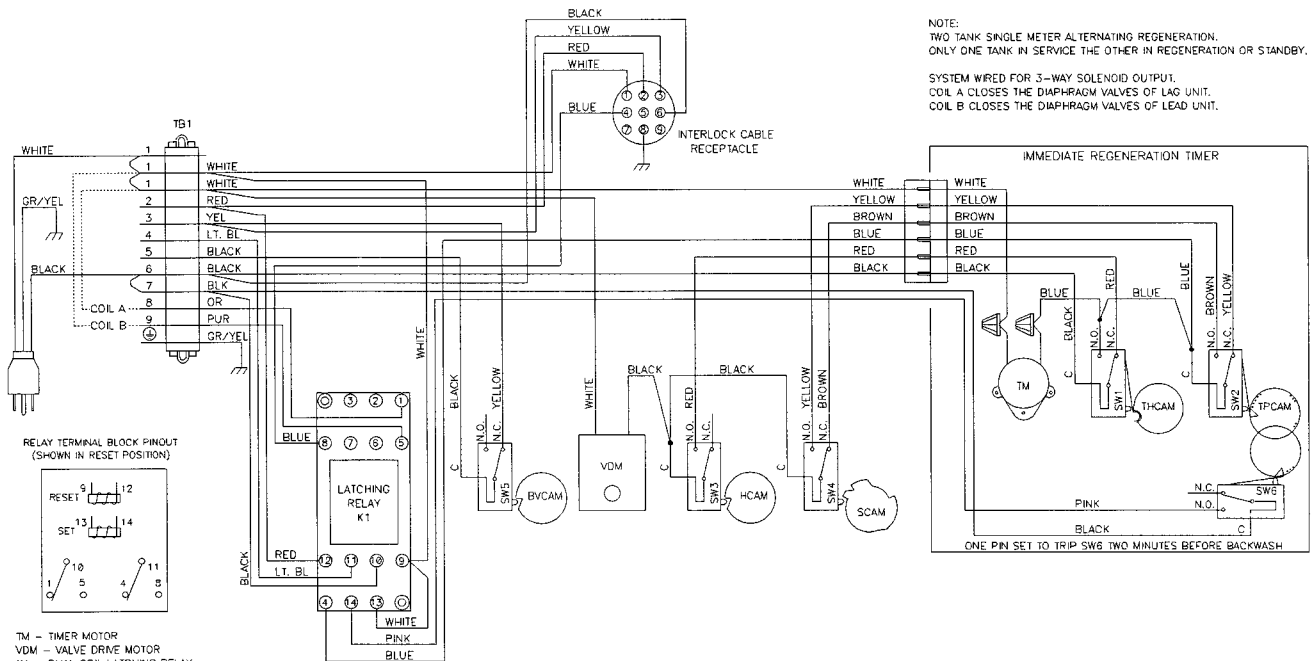
REMOTE METER WIRING



- TM - TIMER MOTOR
- VDM - VALVE DRIVE MOTOR
- SW1 - TIMER HOMING SWITCH
- SW2 - TIMER PROGRAM SWITCH
- SW3 - VALVE HOMING SWITCH
- SW4 - VALVE STEP SWITCH
- SW5 - BRINE CAM SWITCH
- SW6 - AUXILIARY TIMER SWITCH
- THCAM - TIMER HOMING CAM
- TPCAM - TIMER PROGRAM CAM
- HCAM - VALVE HOMING CAM
- SCAM - VALVE STEP CAM
- BVCAM - BRINE VALVE CAM

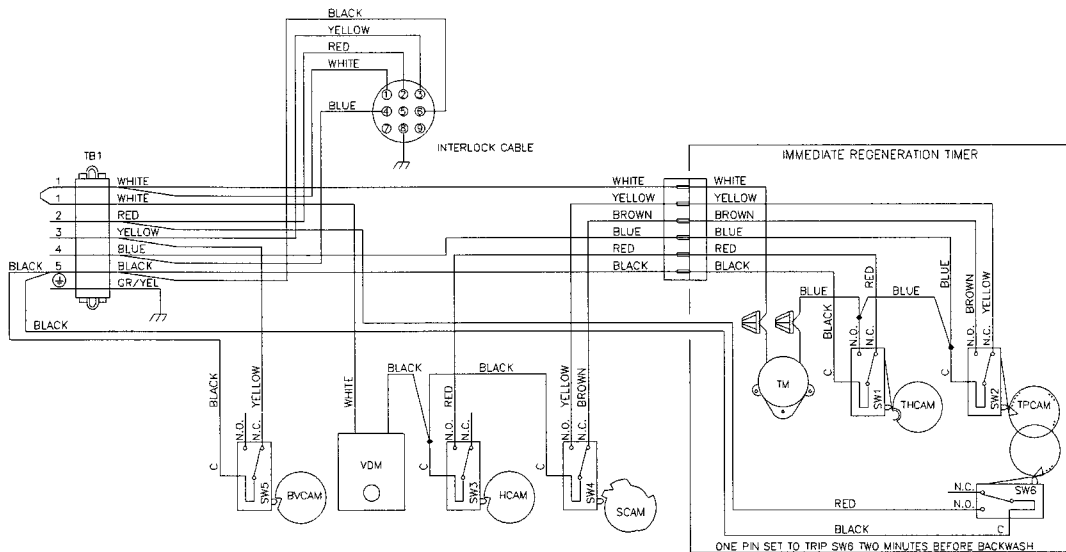
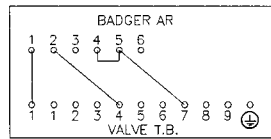
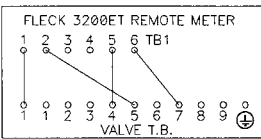
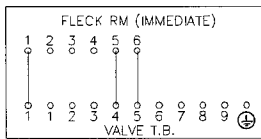
2750 24V/120V System #7

Valve Wiring



- TM - TIMER MOTOR
- VDM - VALVE DRIVE MOTOR
- K1 - DUAL COIL LATCHING RELAY
- 24V P/N 1701B
- 120V P/N 16807
- SW1 - TIMER HOMING SWITCH
- SW2 - TIMER PROGRAM SWITCH
- SW3 - VALVE HOMING SWITCH
- SW4 - VALVE STEP SWITCH
- SW5 - BRINE CAM SWITCH
- SW6 - TIMER AUXILIARY SWITCH
- THCAM - TIMER HOMING CAM
- TPCAM - TIMER PROGRAM CAM
- HCAM - VALVE HOMING CAM
- SCAM - VALVE STEP CAM
- BVCAM - BRINE VALVE CAM

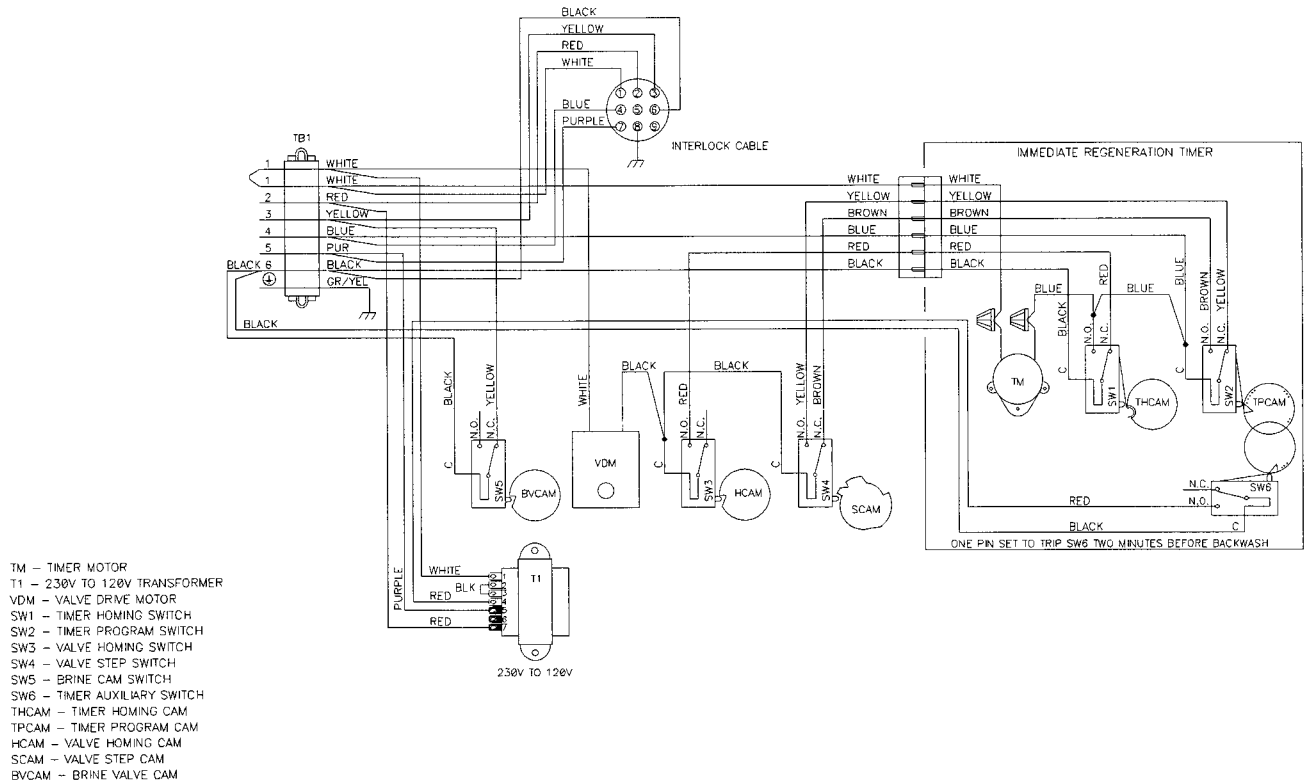
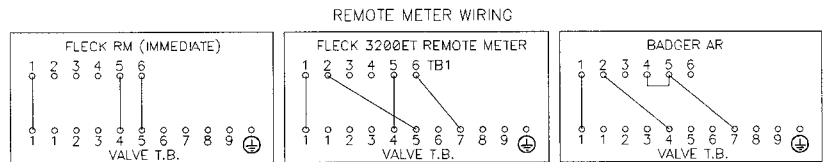
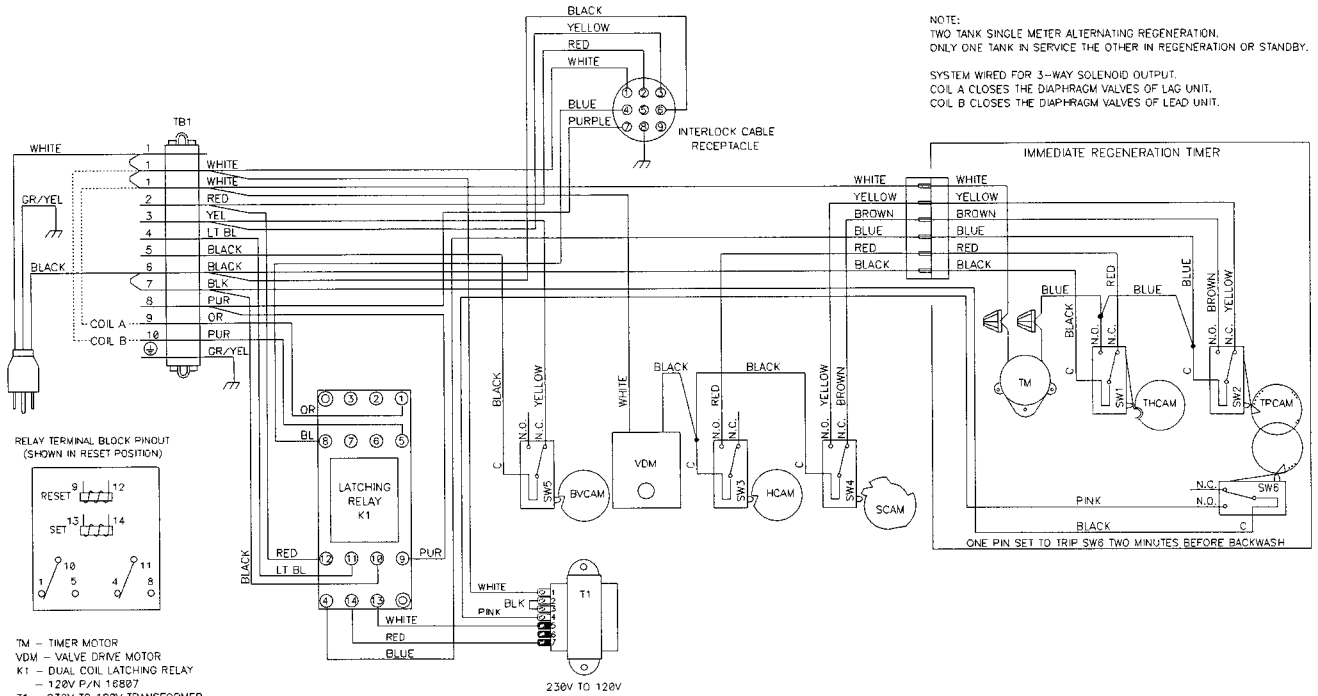
REMOTE METER WIRING



- TM - TIMER MOTOR
- VDM - VALVE DRIVE MOTOR
- SW1 - TIMER HOMING SWITCH
- SW2 - TIMER PROGRAM SWITCH
- SW3 - VALVE HOMING SWITCH
- SW4 - VALVE STEP SWITCH
- SW5 - BRINE CAM SWITCH
- SW6 - TIMER AUXILIARY SWITCH
- THCAM - TIMER HOMING CAM
- TPCAM - TIMER PROGRAM CAM
- HCAM - VALVE HOMING CAM
- SCAM - VALVE STEP CAM
- BVCAM - BRINE VALVE CAM

2750 230V System #7

Valve Wiring



MODEL 2750 DOWNFLOW

Service Instructions

| PROBLEM | CAUSE | CORRECTION |
|--|--|--|
| 1. Softener fails to regenerate. | A. Electrical service to unit has been interrupted. B. Timer is defective. C. Power failure. | A. Assure permanent electrical service (check fuse, plug, pull chain or switch). B. Replace timer. C. Reset time of day. |
| 2. Hard water. | A. By-pass valve is open. B. No salt in brine tank. C. Injectors or screen plugged. D. Insufficient water flowing into brine tank. E. Hot water tank hardness. F. Leak at distributor tube. G. Internal valve leak | A. Close by-pass valve. B. Add salt to brine tank and maintain salt level above water level. C. Clean injector screen. D. Check brine tank fill time and clean brine line flow if plugged. E. Repeated flushings of the hot water tank is required. F. Make sure distributor tube is not cracked. Check O-Ring and tube pilot. G. Replace seals and spacers and/or piston. |
| 3. Unit used too much salt. | A. Improper salt setting. B. Excessive water in brine tank. | A. Check salt usage and salt setting. B. See problem No. 7. |
| 4. Loss of water pressure. | A. Iron buildup in line to water conditioner. B. Iron buildup in water conditioner. C. Inlet of control plugged due to foreign material broken loose from pipes by recent work done on plumbing system. | A. Clean line to water conditioner. B. Clean control and add mineral bed. Increase frequency of regeneration. C. Remove piston and clean control. |
| 5. Loss of mineral through drain line. | A. Air in water system. B. Improper sized drain line flow control. | A. Assure that well system has proper air eliminator control check for dry well condition. B. Check for proper drain rate. |
| 6. Iron in conditioned water. | A. Fouled mineral bed. | A. Check backwash, brine draw and brine tank fill. Increase frequency of regeneration. Increase backwash time. |
| 7. Excessive water in brine tank. | A. Plugged drain line flow control. B. Plugged injector system. C. Timer not cycling. D. Foreign material in brine valve. E. Foreign material in brine line flow control. | A. Clean flow control. B. Clean injector and screen. C. Replace timer. D. Replace brine valve seat and clean valve. E. Clean brine line flow control. |

MODEL 2750 DOWNFLOW

Service Instructions (Cont'd.)

| PROBLEM | CAUSE | CORRECTION |
|---------------------------------|--|--|
| 8. Softener fails to draw brine | A. Drain line flow control is plugged. B. Injector is plugged. C. Injector screen plugged. D. Line pressure is too low. E. Internal control leak. F. Service adapter did not cycle. | A. Clean injector and replace screen. B. Clean injector. C. Clean screen. D. Increase line pressure to 20 P.S.I. E. Change seals, spacers and piston assembly. F. Check drive motor and switches. |
| 9. Control cycles continuously. | A. Missadjusted, broken or shorted switch. | A. Determine if switch or timer is faulty and replace it, or replace complete power head. |
| 10. Drain flows continuously. | A. Valve is not programming correctly. B. Foreign material in control. C. Internal control leak. | A. Check timer program and positioning of control. Replace power head assembly if not positioning properly. B. Remove power head assembly and inspect bore, remove foreign material and check control in various regeneration positions. C. Replace seals and piston assembly. |

General Service Hints For Meter Control

Problem: Softener Delivers Hard Water.

Cause could be that. . . Reserve Capacity Has Been Exceeded.

Correction: Check salt dosage requirements and reset program wheel to provide additional reserve.

Cause could be that. . . Program Wheel Is Not Rotating With Meter Output

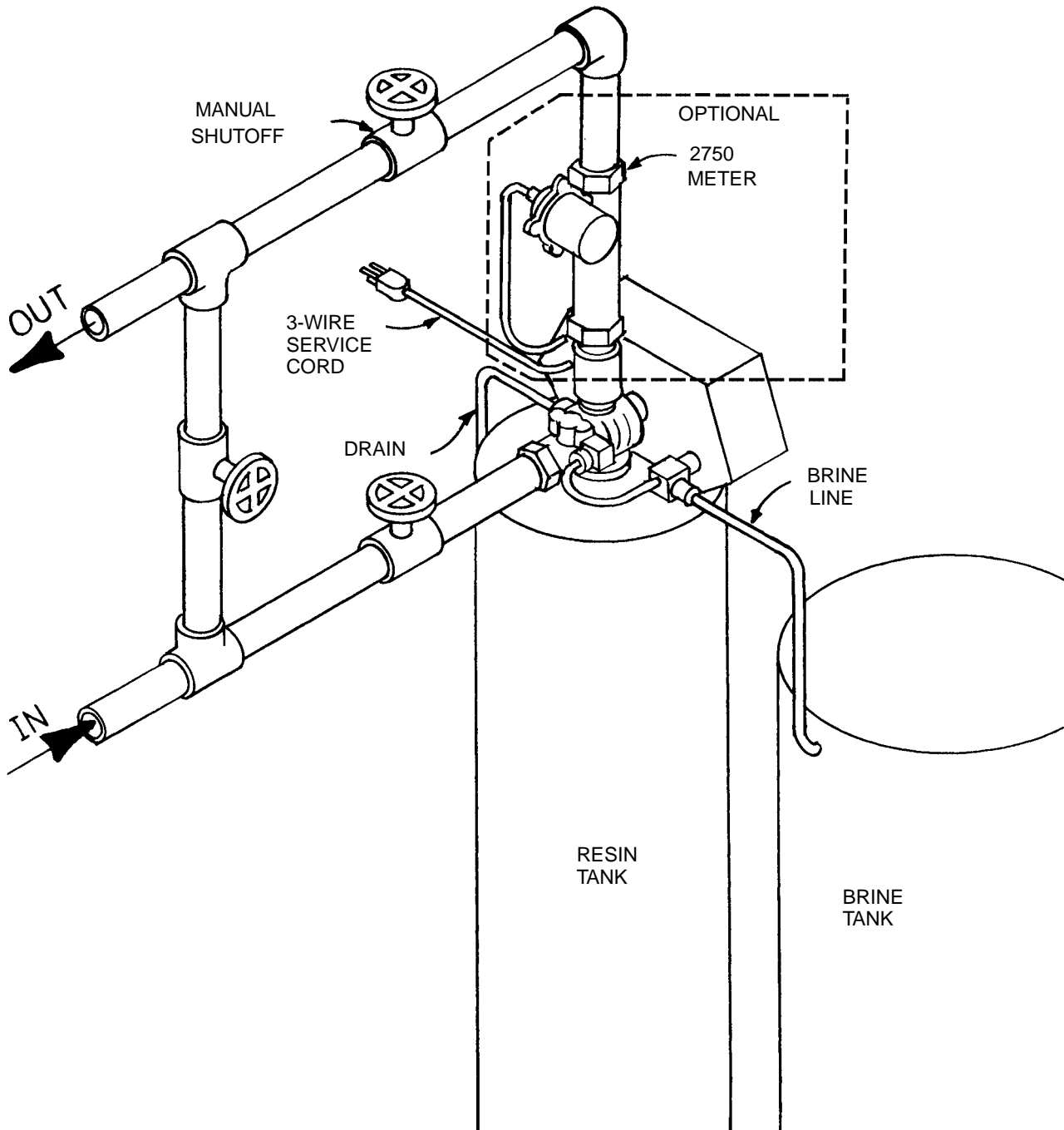
Correction: Pull cable out of meter cover and rotate manually. Program wheel must move without binding and clutch must give positive "clicks" when program wheel strikes regeneration stop. If it does not, replace timer.

Cause could be that. . . Meter Is Not Measuring Flow.

Correction: Check meter with meter checker.

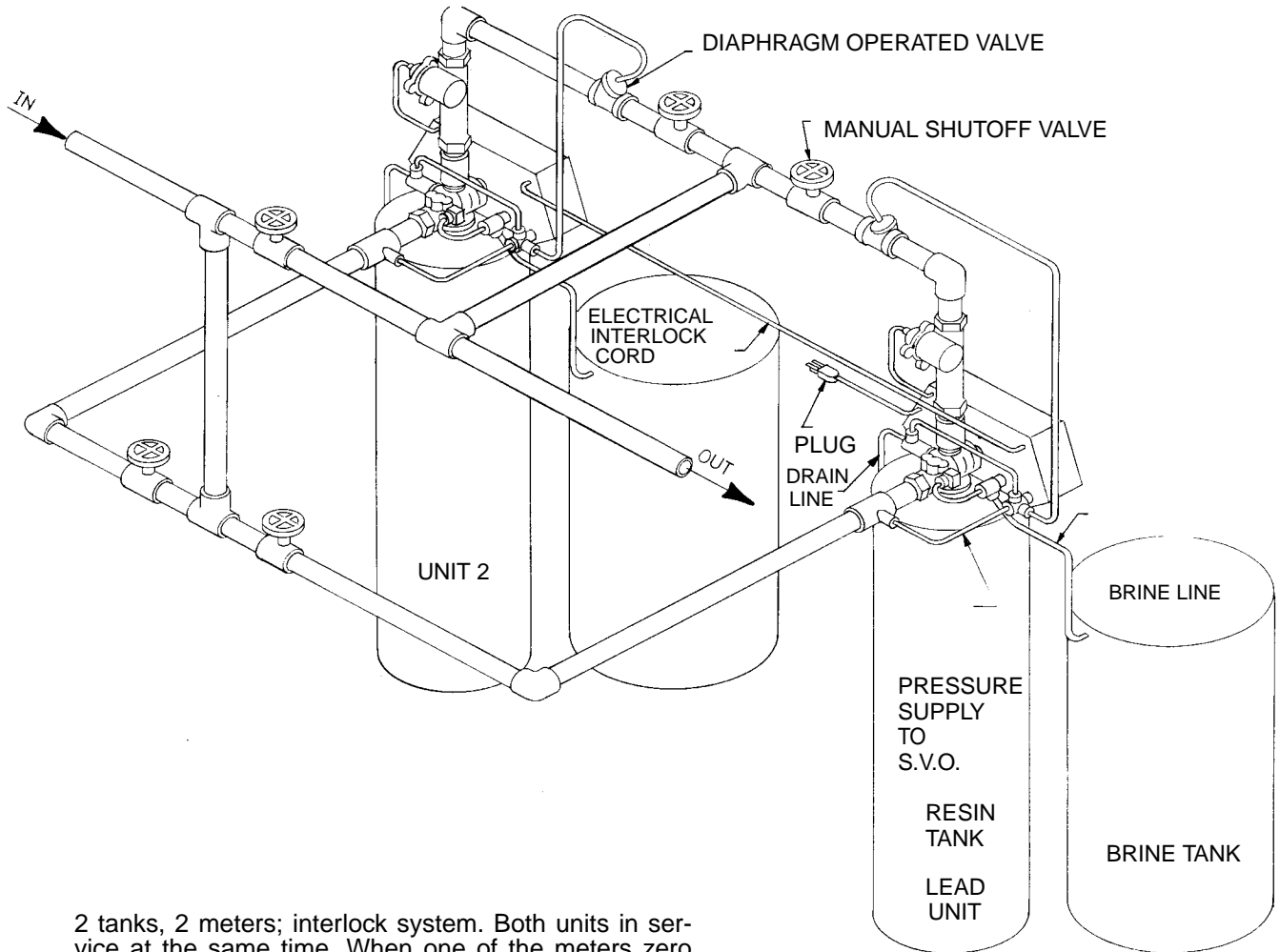
MODEL 2750

System #4 - Typical Single Tank Installation with Optional Meter



MODEL 2750

System #5 Interlock - Typical Twin Tank Installation with Optional 2 Meter Interlock and No Hard Water Bypass

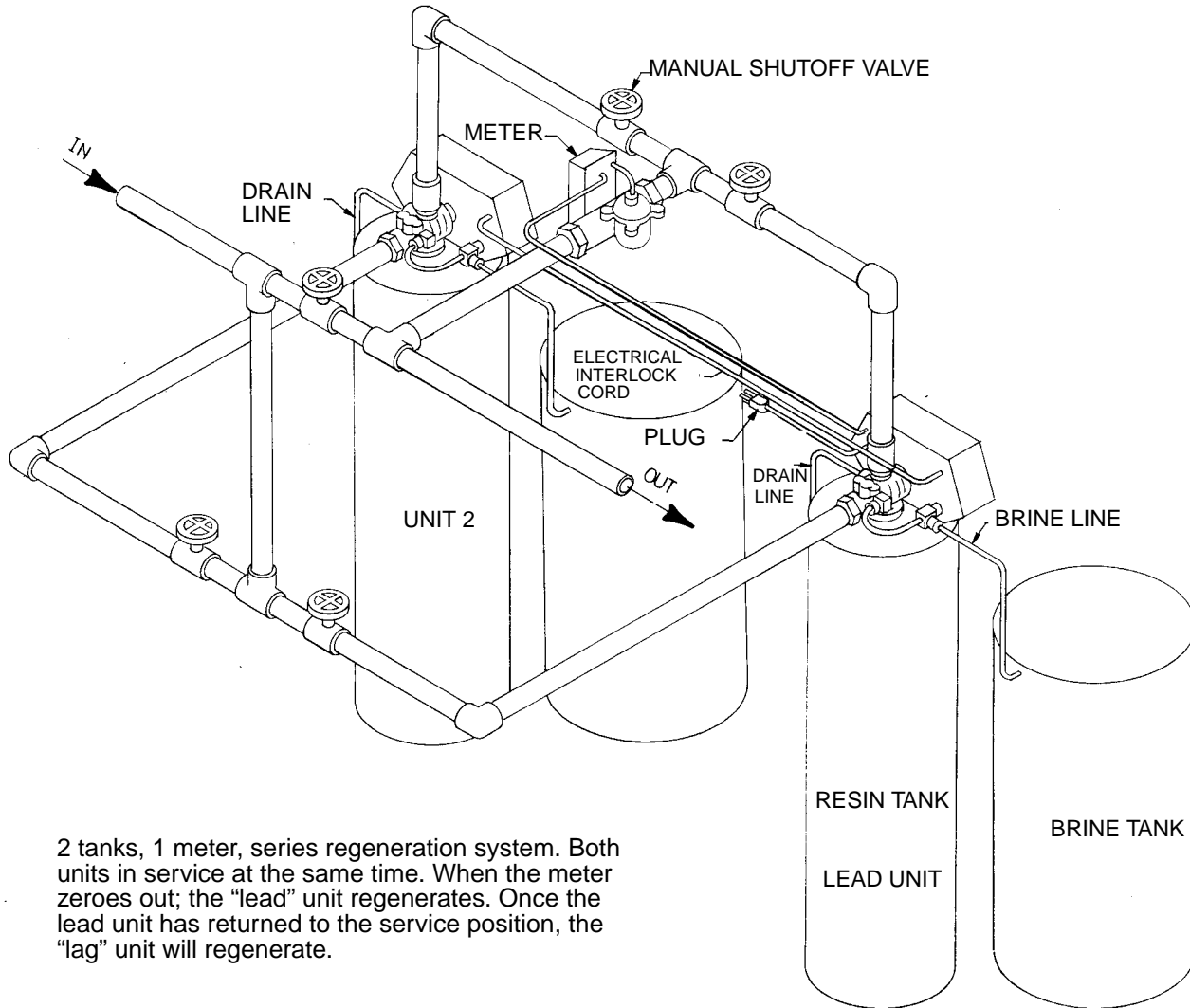


2 tanks, 2 meters; interlock system. Both units in service at the same time. When one of the meters zero out, that unit starts into a regeneration. The other unit remains in service, even if it zeros out during this time.

MODEL 2750

System #6 - Twin Series Regeneration

Installation with a Remote Meter

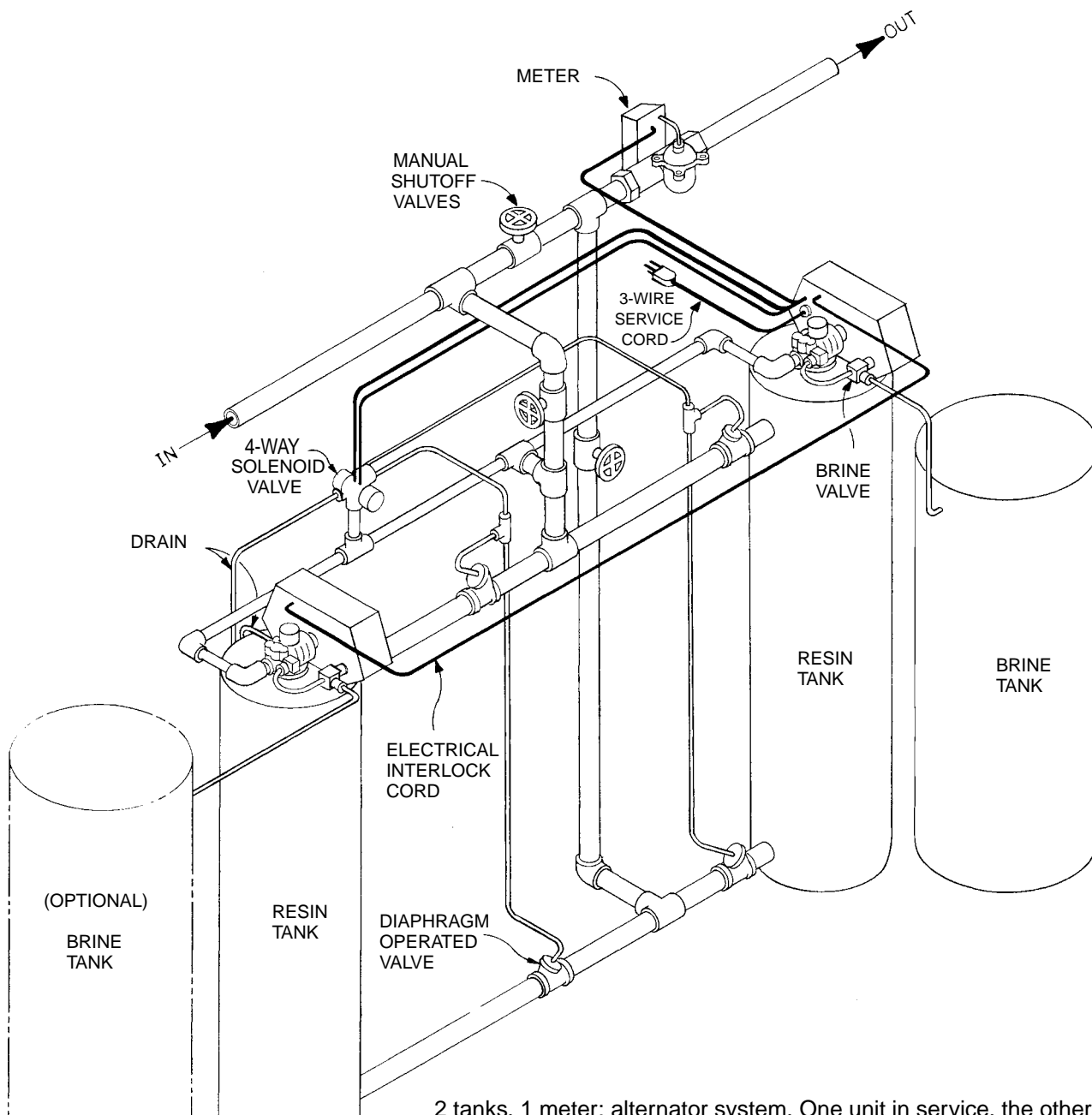


2 tanks, 1 meter, series regeneration system. Both units in service at the same time. When the meter zeroes out; the "lead" unit regenerates. Once the lead unit has returned to the service position, the "lag" unit will regenerate.

MODEL 2750

System #7 - Twin Alternator Installation

With a Remote Meter



2 tanks, 1 meter; alternator system. One unit in service, the other is on standby. When the meter zero out; the unit in service goes into a regeneration cycle, the stand-by unit, goes into service.

MODEL 2750 DOWNFLOW

Service Assemblies

60029 **1600 Brine Valve**
For Illustration, See Page 12

1 10249 Brine Valve Spring
1 10250 Retaining Ring
2 10329 3/8" Brass Nu
2 10330 3/8" Ferrule
2 10332 3/8" Sleeve
1 11749 B/V Stem Guide
1 11982 O-Ring Brine Valve
1 12552 1600 Brine Valve Stem
1 12626 Shut-Off Valve Seat
1 12748 Brine Valve Body
1 12550 Quad Ring

60034-XX **1700 Brine Valve,**
Specify Refill Rate
For Illustration, See Page 11

1 10250 Brine Valve Spring
1 12550 Quad Ring
1 13201 Quad Ring
1 14785 Flow Control Retainer
1 14790 Brine Valve Body
1 14792 Brine Valve End Plug
1 14795 Brine Valve Piston
1 14797 Brine Valve Stem
1 14798 Spacer
2 14811 Piston Seal
1 15310 Brine Valve Spring
1 15517 Stem Guide
1 15414 Nut Ferrule 1/2"
1 16123 Nut 1/2"
1 16124 Ferrule 1/2"

60080-XX **1600 Injector Assembly,**
Specify Injector Size
For Illustration, See Page 8

1 10227 Injector Screen
1 11893 Injector Cap
1 10229 Injector Cover Gasket
1 10328 90° Elbow 1/4" NPT x 3/8" Tube
2 10692 Screw
1 10913 Injector Nozzle
1 10914 Injector Throat
1 11475 Injector Body Gasket
1 17776 Injector Body

60381-XX **1700 Injector Assembly,**
Specify Injector Size
For Illustration, See Page 8

1 11893 Injector Cap
1 10229 Injector Cover Gasket
1 17777 Injector Body
1 14801 Injector Nozzle
1 14802 Injector Throat
1 14803 Injector Screen
2 14804 Screw
1 14805 Injector Body Gasket

60090-HF **2750 Piston Assembly**
For Illustration, See Page 8

1 10209 Quad Ring, -010
1 10234 O-Ring, -024
1 10598 End Plug Assembly
1 10909 Pin, Link
1 14451 Piston, 2750
1 14452 Piston Rod

60090-HF **2750 Piston Assembly**

1 10598 End Plug Assy.
1 10909 Pin, Link
1 14451 Piston, 2750
1 14452 Piston Rod

60091-HF **2750 Piston Assy., Hot Water**

1 10598-01 End Plug Assy., Hot Water
1 14451 Piston 2750
1 14452 Piston Rod
1 10909 Pin, Link

60121 **Seal & Spacer Kit, 2750**

6 10545 Seal, Piston
1 10757 End Spacer
5 11451 Spacer, 12 Hole

60122 **Seal & Spacer Kit, 2750**
Hot Water

6 10545 Seal, Piston
1 10757B End Spacer
5 16589 Spacer, HW

MODEL 2750

Service Assemblies (Cont'd.)

| | | | |
|------------------|--|------------------|--|
| 60050-21 | 2750 Drive Assy., 120V | 6071 0-XX | BLFC, 1" Specify Flow Rate Range 8.0 - 25.0 GPM |
| 2.....10218..... | Micro Switch | | |
| 1.....10250..... | Retaining Ring | 60391 | 2750 Meter Assy., STD |
| 2.....10302..... | Insulator | 60392 | 2750 Meter Assy., EXT |
| 2.....10338..... | Pin, Roll 3/32 x 7/8 | 60301 | 3000 12 Day Timer, Specify Voltage |
| 1.....10621..... | Link | 60303 | 3200 Clock Timer, Specify Voltage |
| 1.....10769..... | Motor, Drive 1 20V | 60306 | 3210 Delay Timer, Specify Voltage |
| 1.....10774..... | Bracket, Motor Drive Side | 60307 | 3220 Immed Timer, Specify Voltage |
| 5.....10872..... | Screw, Hex Washer 8-32 x 5/16 | | |
| 1.....11667..... | Wire Harness, Drive Motor | | |
| 1.....11826..... | Bracket, Sensor Motor | | |
| 1.....12576..... | Cam, Drive STF | | |
| 1.....12777..... | Cam, Shut-Off Valve | | |
| 1.....13366..... | Bearing, Drive | | |
| 2.....14923..... | Screw, Pan HD Mach 4-40 x 1 | | |
| 1.....17904..... | Bushing, Heyco | | |
| 60365-XX | Brass DLFC 3/4" NPT Specify Flow Rate Range 1.2 - 7.0 GPM | | |

